

Patents, Designs, and Trade Marks

SUPPLEMENT

TO THE

NEW ZEALAND GAZETTE

TO THE

NEW ZEALAND GAZETTE

OF

THURSDAY, DECEMBER 15, 1910.

Published by Authority.

WELLINGTON, THURSDAY, DECEMBER 15, 1910.

CONTENTS.

	Page
International and Intercolonial Arrangements for the Mutual Protection of Patents and Trade Marks ..	4261
Applications for Letters Patent filed	4262
Complete Specifications filed after Provisionals ..	4263
Complete Specifications accepted	4263
Provisional Specifications accepted	4266
Request for Amendment of Specification allowed ..	4266
Letters Patent sealed	4267
Letters Patent on which Fees have been paid ..	4267
Subsequent Proprietors of Letters Patent registered	4267
Application for Letters Patent opposed	4267
Applications for Letters Patent abandoned ..	4267
Applications for Letters Patent void	4268
Applications for Letters Patent lapsed	4268
Letters Patent void	4268
Design expired	4268
Applications for Trade Marks filed	4268
Applications for Registration of Trade Marks ..	4269
Trade Marks registered	4276
Trade Mark Renewal Fees paid	4276
Trade Marks removed from the Register	4276
Subsequent Proprietors of Trade Marks registered ..	4277
Applications for Trade Marks opposed	4277
Applications for Trade Marks abandoned or refused	4277

International and Intercolonial Arrangements for the Mutual Protection of Patents and Trade Marks.

INTERNATIONAL CONVENTION.

THE following countries now belong to the Convention :—

Australia.	Italy.
Austria-Hungary.	Japan.
Belgium.	Mexico.
Brazil.	New Zealand.
Ceylon.	Norway.
Cuba.	Portugal, with the Azores and Madeira.
Denmark and Faroe Islands.	Servia.
Dominican Republic.	Spain.
France, with Algeria and Colonies.	Sweden.
Germany.	Switzerland.
Great Britain.	Tunis.
Holland, with East Indian Colonies, Curaçoa, and Surinam.*	United States of America.

* Trade marks only.

Separate arrangements have been made between Australia and New Zealand.

Particulars of the Convention and of such arrangements may be seen in the following *Gazettes* :—

Notification of adhesion of New Zealand to the Convention, with text thereof (in English), in the *Gazette* of 26th November, 1891; notification of adherence of New Zealand to the Additional Act of the Convention, with text (in English) of such Additional Act, in *Patents Supplement to Gazette* No. 101, of the 16th November, 1905; Order in Council applying section 103 of the Imperial Act to New Zealand, in *Gazette* No. 27, of the 15th May, 1890; Orders in Council containing arrangements between Australia and New Zealand, in *Patent Supplements to the Gazette* Nos. 22, of the 9th March, 1905, and 38, of the 20th April, 1905.

NOTE.—The next issue of the Patents, Designs, and Trade Marks Supplement to the *New Zealand Gazette* will be published on Thursday, the 12th day of January, 1911.

Applications for Letters Patent filed.

LIST of applications for Letters Patent filed. (Where a complete specification accompanies an application an asterisk is affixed; in all other cases a provisional specification has been lodged. In all cases where the applicant is not the inventor the name of the latter appears in italics in brackets. † Denotes an application under the International and Intercolonial Arrangements.)

How, E. E., Tariki, N.Z.	Saw-bench; 28776; 24th November.
Trevor, S. R., Auckland, N.Z.	Oil-production; 28777; 24th November.
Bagnall, H. N., Auckland, N.Z.	Dish-washer; 28778; 22nd November.
Cliff, F., Paparoa, N.Z.	Wire-strainer; 28779; 23rd November.
Field, F. M., Melbourne, Vic.	Stopping trains; 28780; 23rd November.
Skene, D. A., Melbourne, Vic.	Stopping trains; 28780; 23rd November.
McKellar, C. G., Christchurch, N.Z.	Float valve*; 28781; 23rd November.
Selwood, C. C., Invercargill, N.Z.	Cycle-pump; 28782; 25th November.
Roope, L. G., Invercargill, N.Z.	Cycle-pump; 28782; 25th November.
Thurston, G., Riversdale, N.Z.	Reciprocating-engine; 28783; 25th November.
Hardley, C. E., Auckland, N.Z.	Gas and water cock; 28784; 24th November.
Woodham, A. J., Christchurch, N.Z.	Vehicle-step tread*; 28785; 25th November.
Cassrels, L. E., Parnell, N.Z.	Closet-seat covering*; 28786; 26th November.
Rutherford, W. J., Parnell, N.Z.	Closet-seat covering*; 28786; 26th November.
Love, R., Auckland, N.Z.	Reins-attachment; 28787; 25th November.
Love, J. N., Auckland, N.Z.	Reins-attachment; 28787; 25th November.
Rich, F. A., Auckland, N.Z.	Reinforced-concrete slab*; 28788; 25th November.
Jeffreys, S., Auckland, N.Z.	Reinforced-concrete slab*; 28788; 25th November.
Kahlenberg, P., Dunedin, N.Z.	Golf-club, &c., grip; 28789; 25th November.
Hildesheim, F. W., Brussels, Belg.	Chocolate, &c., manufacture*; 28790; 25th November.
Noakes, W. C., Christchurch, N.Z.	Coal-unloading apparatus; 28791; 28th November.
Cassrels, L. E., Parnell, N.Z.	Advertising-sign*; 28792; 28th November.
Rutherford, W. J., Parnell, N.Z.	Advertising-sign*; 28792; 28th November.
Arnaboldi, J., Devonport, N.Z.	Boot heel and toe tip; 28793; 26th November.
Douglas, H. McF., Wellington, N.Z.	Loose leaf price and pocket books; 28794; 29th November.
Hardley, C. E., Auckland, N.Z.	Air pump ventilator*; 28795; 29th November.
Reeves, W., Henderson, N.Z.	Swingletree*; 28796; 29th November.
Staffans, J., Mauriceville, N.Z.	Vehicle and brake pipe-coupling; 28797; 29th November.
Tait, A. L. J., Mount Nicholas, N.Z.	Clothes-peg; 28798; 26th November.
Tait, A. L. J., Mount Nicholas, N.Z.	Rotary-engine; 28799; 26th November.
Birks, G. F., Sydney, N.S.W. (<i>Birks, E. N.</i>)	Can-closure; 28800; 28th November.
Fowler, J. W., Auckland, N.Z.	Turbine; 28801; 29th November.
Wright, A. H., Dunedin, N.Z.	Advertisement apparatus; 28802; 5th February.†
Pickering, L., Ngakawau, N.Z.	Points for trucks; 28803; 1st December.
McNab, N. S., Caulfield, Vic.	Registering-device; 28804; 1st December.
Bowick, R. C., Hunterville, N.Z.	Lifting, &c., bar; 28805; 1st December.
Gillies, A., Heidelberg, Vic.	Teat-cup*; 28806; 24th December, 1909.†
Hommel, W., London, Eng.	Ore-treatment*; 28807; 7th December, 1909.†
Durant, H. T., London, Eng.	Ore-treatment*; 28807; 7th December, 1909.†
Keen, W. M., Sydney, N.S.W.	Rabbit and hare packing; 28808; 1st December.
O'Donnell, P., Leichardt, Vic.	Brake*; 28809; 1st December.
Marchesi, G., Leichardt, Vic.	Brake*; 28809; 1st December.
House, J., Melbourne, Vic.	Timber-seasoning; 28810; 1st December.
Morison, D. B., Hartlepool, Eng.	Liquid-cooling*; 28811; 1st December.
Hickey, H. J., Hastings, N.Z.	Hurdle; 28812; 1st December.
Nelson, W., Tomoana, N.Z.	Gas-plant tar-extractor; 28813; 1st December.
Keeley, F., Te Kuiti, N.Z.	Bridle; 28814; 1st December.
Austin, E. C., Wellington, N.Z.	Tire-pump valve; 28815; 1st December.
Gay, J. H., Oamaru, N.Z.	Stone-quarrying apparatus; 28816; 2nd December.
Geary, F. W., E. Maitland, N.S.W.	Water-tank overflow*; 28817; 1st December.
Compton, J. W., Pahiatua, N.Z.	Horse-holder; 28818; 3rd December.
McGibbon, K. A., Dannevirke, N.Z.	Clothes-washer*; 28819; 3rd December.
Stewart, J., Invercargill, N.Z.	Spring acting by torsion; 28820; 2nd December.
Pettitt, H., Kaikorai, N.Z.	Gate-lock; 28821; 2nd December.
Martin, C. W., Wellington, N.Z.	Wire-insulating; 28822; 5th December.
Martin, C. W., Wellington, N.Z.	Electric oven; 28823; 5th December.
Dornbush, J. P., Auckland, N.Z.	Motor; 28824; 5th December.
Cochrane, J. A., Hamilton, N.Z.	Solder; 28825; 1st December.
Thompson, E. M., Auckland, N.Z.	Venetian blind; 28826; 3rd December.
Sanderson, R., Melbourne, Vic.	Producer-gas furnace; 28827; 6th December.
O'Brien, D. J., Kenilworth, U.S.A.	Lamp and reflector; 28828; 6th December.
Nightingall, V., Melbourne, Vic.	Electric cooker and water-heater*; 28829; 6th December.
Milton, G., Williamstown, Vic.	Animal-trap; 28830; 6th December.
Sibun, E. S., London, Eng.	Loose-leaf book*; 28831; 17th December, 1909.†
Broughton, E., Auckland, N.Z.	Roller, &c., blind; 28832; 3rd December.
May, J., Melbourne, Vic.	Liquid-cooling*; 28833; 5th December.
McConkey, M., Timaru, N.Z.	Greenhouse-ventilator; 28834; 7th December.
Johansen, H. V., Christchurch, N.Z.	Lift-guard; 28835; 7th December.
Marchant, S. B., Balaklava, S. Aust.	Building-construction*; 28836; 7th December.
Leech, A. H., Enmore, N.S.W.	Ladies' suspenders*; 28837; 29th October.†
Russell, F., Adelaide, S. Aust.	Bottle-stopper*; 28838; 7th December.
Richardson, J. S., Sydney, N.S.W.	Composition for roads*; 28839; 7th December.
Elliott, H. D., Glebe Point, N.S.W.	Aerial passenger-car*; 28840; 7th December.
Curlewis, C. P., St. Peters, N.S.W. (<i>Heine, J.</i>)	Sheet-metal-slitting machine; 28841; 7th December.
Curlewis, C. P., St. Peters, N.S.W. (<i>Heine, J.</i>)	Sheet-metal-slitting machine; 28842; 7th December.
United Shoe Machinery Company, Paterson, U.S.A.	Nail-making machine; 28843; 7th December.
(<i>Brock, M.</i>)				
United Shoe Machinery Company, Paterson, U.S.A.	Cutting-dies; 28844; 7th December.
(<i>Pocock, E.</i>)				
United Shoe Machinery Company, Paterson, U.S.A.	Welt-shoe manufacture; 28845; 7th December.
(<i>Drey, W. J.</i>)				
United Shoe Machinery Company, Paterson, U.S.A.	Boot and shoe machine; 28846; 7th December.
(<i>Drey, W. J.</i>)				
Billows, A. J., Melbourne, Vic.	Jar, &c., tap*; 28847; 7th December.

Lungley, C. F., Melbourne, Vic.	Hide, &c., treatment; 28848; 7th December.
Coates, C. C., Christchurch, N.Z. (<i>Spirella Company</i>)	Wire garment-stays*; 28849; 6th December.
Bauert, W. H., Forbes, N.S.W.	Railway-signal mechanism*; 28850; 8th December.
Wolf, J. D., London, Eng.	Ore-separation*; 28851; 8th December.
Le Coutre, Worcester, U.S.A.	Corset*; 28852; 18th December, 1909.†
Tesla, N., New York, U.S.A.	Fluid-propulsion*; 28853; 8th December.
Martin, W. W., Wellington, N.Z. (<i>Catling, J. T.</i>)	Prevention of obstructive deposits in hydraulic mains; 28854; 8th December.
Kuhn, E. W., London, Eng.	Beer manufacture*; 28855; 8th December.
Kettle, H. G., Dunedin, N.Z.	Milking-machine pipe; 28856; 7th December.
Hurd, T., Dunedin, N.Z.	Draught-preventer; 28857; 7th December.
Cummings, A. J., Kyabram, Vic.	Tailors'-chalk holder, &c.; 28858; 7th December.
Elliott, H., Dunedin, N.Z.	Shaping-machine spring and guard; 28859; 7th December.
Lyell, A., Wellington, N.Z.	Non-refillable bottle; 28860; 9th December.
New Zealand Hemp Process and By-products Company, Limited, Foxton, N.Z. (<i>Richardson, W. G.</i>)	Flax-catcher; 28861; 9th December.
Wilkinson, W., Chertsey, N.Z.	Axle; 28862; 9th December
Burrell, C. M., Wanganui, N.Z.	Bath*; 28863; 10th December.
Park, A. J., Dunedin, N.Z.	Kitchen-utensil hanger; 28864; 9th December.
Woods-Gilbert Rail Planer Company, Limited, Melbourne, Vic. (<i>Little, J.</i>)	Rail-planing machine*; 28865; 9th December.
Main, J. E., Christchurch, N.Z.	Lawn-edge trimmer; 28866; 12th December.
Wright, A. H., Newmarket, N.Z.	Stamping, embossing, &c., machine; 28867; 9th December.
Livesay, J. W., Eilerslie, N.Z.	Flax-stripper towing-up preventer; 28868; 10th December.
Moore, R. F., Auckland, N.Z.	Oil-extraction from peat; 28869; 10th December.

Complete Specifications filed after Provisionals.

LIST of complete specifications filed after provisional specifications from the 26th November to the 9th December, 1910, inclusive:—

- No. 27238.—R. D. Haworth, box.
 No. 27343.—F. J. McDonald, steaming-valve.
 No. 27363.—A. H. Wright, stamping, &c., machine.
 No. 27386.—H. Greig, flax-stripper.
 No. 27400.—W. A. McNaught, wool-classing chart.
 No. 27437.—J. J. O'Doherty, vehicle-brake.
 No. 27508.—W. J. Baskiville, harbour-channel, &c., sweeper.
 No. 27553.—G. Hutchinson, seed-sower.

Notice of Acceptance of Complete Specifications.

Patent Office,
 Wellington, 14th December, 1910.

COMPLETE specifications relating to the under-mentioned applications for Letters Patent have been accepted, and are open to public inspection at this office. Any person may, at any time within two months from the date of this *Gazette*, give me notice in writing of opposition to the grant of any such patent. Such notice must set forth the particular grounds of objection, and be in duplicate. A fee of 10s. is payable thereon.

The copies of claims and extracts from the specifications and drawings are merely intended to give some further indication of the invention than is disclosed in the title, and the complete specifications and drawings should be referred to for a description of the invention.

No. 26510.—1st September, 1909.—FREDERICK AUGUST FISCHER and ARTHUR PAUL FISCHER, both of Napier, New Zealand, Electrical and Mechanical Engineers. An improved franking-machine.*

Extract from Specification.—Each stamp-die is mounted upon the end of a pivoted arm, which is caused to descend upon an impression-block arranged to receive the die, and impress its stamp upon a paper placed upon the block. These dies are adapted to be actuated independently of each other by means of suitably arranged levers or rods, and in their movements to actuate a counting or recording mechanism of any ordinary construction to record the total value of the stamps impressed by the machine. The machine comprises means whereby the stamp-dies may be inked, means whereby any reverse movement of the stamp-levers is prevented as they are caused to move up and down, means for preventing the fraudulent use of the stamps to obtain more than one impression at each downward movement thereof, and other details in construction.

[NOTE.—The above extract from the specification is inserted in place of the claims.]

(Specification, 12s. 6d.)

No. 26978.—1st December, 1909.—LOUIS HENRY RAW, of Macaquee, Molesey Park Road, East Molesey, Surrey, England, Gentleman. Improvements in and relating to the treatment of ramie, China-grass, and other fibrous substances.*

Claim.—A process for the treatment of ramie or other similar fibrous substances, consisting in laying the raw fibre in a thin layer upon the surface of the ground, which is prepared and levelled to receive it, and then pressing the fibre in contact therewith, for the purpose and substantially as described.

(Specification, 2s.)

No. 26998.—7th December, 1909.—TOSEF VINCENT BREJCHA, of Strassburg-Neudorf, Alsace-Lorraine, Germany. Engineer. Process for the production of boreholes with independent supports without tubes.

Claims.—(1.) Process for the production of boreholes with independent support in which a stiffening-medium is introduced into the borehole with the apparatus for introducing the material forms a closed system, substantially as described.

[NOTE.—Here follow five other claims.]

(Specification, 3s. 9d.)

No. 27025.—9th December, 1909.—JOHN THOMAS SHELDON, of "Olgate," Fernhill Street, Fernhill, New South Wales, Australia, Brass-finisher. Improvements in stop-valves, taps, and the like.*

Claims.—(1.) Improvements in stop-valves and taps, consisting of the formation of a valve seat on each side of and surrounding the orifice in a diaphragm within the valve-casing, a valve on each side of said diaphragm designed to close on the respective seats, a stem provided upon the side of the supplementary valve remote from the diaphragm, such stem being adapted to slide in a cavity formed in the casing, a spring fitted within said stem, and a pin projecting from the face of one of the said valves and passing through the valve-orifice, bearing upon the face of the other valve, the arrangement being such that the supplementary valve will be permitted to seat itself before the maximum point of withdrawal of the valve is reached, substantially as and for the purpose specified. (2.) Improvements in stop-valves, taps, and the like, constructed, combined, arranged, and operating, substantially as described and explained, and as illustrated in the drawings.

(Specification, 4s. 9d.)

No. 27041.—14th December, 1909.—THOMAS JACKSON, of Opuawhanga, New Zealand, Farmer. An improved machine for cutting scrub.*

Claims.—(1.) In means for cutting scrub, a frame adapted to be drawn or travelled over the ground, an arm radiating from such frame adapted to be turned in a horizontal plane, a circular saw mounted in the end of such arm, a motor on the frame, and means whereby the saw may be driven by such motor, substantially as specified.

[NOTE.—Here follow three other claims.]

(Specification, 8s. 9d.)

No. 27255.—3rd February, 1910.—ERNEST ALBERT EARN-SHAW, of General Post Office, Wellington, New Zealand, and Liverpool, England, Chief Cook. An improved propeller life-guard.

Extract from Specification.—Three or more hollow and solid steel girders, oval shape, support and strengthen cage parts on either side or under-part. It is opened or closed from AA lever or windlass (power depending on weight or size) by steel chains. In closing BB telescopes with cross oval sectional bars supported on girders. In opening, see Fig. 2 in expansion. When in action has square holes wide enough to allow free flow of water from propellers; also will not lessen ship's speed; giving propellers clear revolving room or to examine same in dock, also ample room for action of rudder hard port or starboard.

[NOTE.—The above extract from the specification are inserted in place of the claims.]

(Specification, 2s. 6d.)

No. 27265.—8th February, 1910. JOHN WILLIAM JACKSON, of New Plymouth, New Zealand, Settler. Improved means for stopping sand from drifting.*

Claims.—(1.) Means for stopping sand from drifting, comprising posts erected in the place where it is desired to arrest the sand, and rails secured to the posts at about three inches apart, substantially as set forth. (2.) The combination and arrangement of parts, substantially as and for the purposes specified, and illustrated in the drawing.

(Specification, 1s. 6d.)

No. 27285.—12th February, 1910.—WILLIAM HENRY FRITH, of Oamaru, New Zealand, Merchant. Improvements in windows.*

Claim.—In combination, window-sashes having rollers upon its edges adapted to run upon a window-frame, spring-operated bolts at each side of the window and below the meeting bar of the upper sash and upon the interior face at the bottom of the lower sash, holes in the window-frame opposite the bolts, and plates upon the window-frame having holes corresponding to the holes in the frame, substantially as set forth.

(Specification, 2s. 9d.)

No. 27296.—14th February, 1910.—CHARLES MILLS, of 53 Manchester Street, Christchurch, New Zealand, Watchmaker. Improved apparatus for preventing flies from settling.*

Claims.—(1.) For the purpose indicated, one or a plurality of radial arms driven by clockwork. (2.) In combination, clockwork mechanism, an axle rotated thereby, a recessed cap having holes for the ends of arms, radial arms, a disc fitting the recess, and a nut for clamping the disc upon the arms. (3.) Apparatus for the purpose indicated consisting of the parts constructed, combined, arranged, and operating, substantially as specified.

(Specification, 2s.)

No. 27373.—2nd March, 1910.—EDWARD FOSTER, of Auckland, New Zealand, Engineer. An improved composition for attaching insulation to steam-boilers and other appliances.*

Extract from Specification.—The composition devised for this purpose consists in a combination of silicate of soda, asbestos pulp, vegetable or animal oil, and a suitable alkali dissolved in water. The alkali employed may be caustic soda, pearl-ash, or other chemical having similar properties.

[NOTE.—The above extract from the specification is inserted in place of the claims.]

(Specification, 2s.)

No. 27389.—3rd March, 1910.—GEORGE GRAY, of Reid and Gray, Dunedin, New Zealand, Engineers. Improvements relating to ploughs.*

Claims.—(1.) In a plough, making one side of the land-lever stud narrower than the opposite side, and a corresponding side of the hole in the quadrant-boss similarly narrower than its opposite side, so that the stud may be jammed in the hole by means of a set-screw or a key, substantially as described. (2.) In a plough, securing the quadrant of the land-

lever to its stud by bevelling the stud and the hole in the quadrant-boss respectively, and pinching the quadrant on the stud by a set-screw or a key, substantially as described. (3.) In a plough, the combination with a stud having two bevelled sides of a quadrant, the boss of which has a correspondingly bevelled hole, and which is adapted to be pinched on the stud by a set-screw or a key, substantially as described.

(Specification, 2s. 6d.)

No. 28221.—2nd September, 1909.†—THE WOLSELEY SHEEP-SHEARING MACHINE COMPANY, LIMITED, of Sydney Works, Alma Street, Aston, near Birmingham, England, Engineers, and ERNEST VICTOR HUDSON, A.M.I.Mech.E., of the same address, Manager of the cream-separator works of the said company. Improvements in the separating cones or plates of cream and other centrifugal separators.

Claim.—(1.) Separating cones or plates of the kind set forth, characterized in that the openings therethrough for the passage outside the cream wall or outside the wall of other lighter liquid which is separated from a heavier liquid, of the whole milk or other liquid to be separated, are of such width circumferentially of the cones or plates as to insure ample passage-way therethrough for the whole milk or other liquid to be separated, into whatever position the cones or plates may be turned in relation to one another about their common axis, thereby avoiding the necessity for locating the cones or plates as to their positions circumferentially in relation to one another, or in relation to any part around or within which they are placed.

[NOTE.—Here follow three other claims.]

(Specification, 10s.)

No. 28359.—31st August, 1910.—GEORGE HENRY CLIFF, of 43, Dundas Place, Albert Park, Victoria, Builder. Improvements in and relating to baths, troughs, and the like.

Extract from Specification.—This invention of improvements in and relating to baths, troughs, and the like has been designed to enable metal plunge-baths to be temporarily divided off for use as a hot-water boiler and wash-troughs, or as a hot-water heater and bath only, and to provide a stove for heating the boiler or water-heater part thereof; also part of the invention is applicable as the means for securing the junctional parts of semicircular rolled-metal sheets together to form cattle-troughs, flumes, or the like, and to form the ends thereof, and further to provide a portion of the trough with a water boiler or heater in a manner similar to the bath.

[NOTE.—The above extract from the specification is inserted in place of the claims.]

(Specification 7s. 3d.)

No. 28460.—20th September, 1910.—WILLIAM HERBERT WATERS, a member of the firm of Edward Waters and Sons, Patent Attorneys, of Nos. 414-18 Collins Street, Melbourne, Victoria, Australia (nominees of Augustus Haggemiller, of Tarica, Peru, South America). Improvements in and connected with the smelting of pyritic and other sulphide ores.

Claim.—A process for smelting pyritic and other sulphide ores by subjecting the said ores to the action of a blast of air at a pressure of one or more atmospheres in a blast-furnace, the energy imparted to the blast being equal to the dissociation energy of the ore in the melting-zone or hearth of the furnace.

(Specification, 2s. 3d.)

No. 28492.—27th September, 1910.—CHARLES CHEERS WAKEFIELD, of 27 Cannon Street, London E.C., England, Merchant. Improvements in or relating to automatic regulators for acetylene-gas generators.

Extract from Specification.—According to this invention, an automatic gas-regulator comprises a regulator-bell divided into two or more vertical compartments, and a large bell, all partially immersed in water, a conduit from the generator to one or more of the compartments of the regulator-bell, one or more conduits connecting the other compartment or compartments of the regulator-bell both with the large bell and with the outlet, and an operative connection between the large bell and the regulator-bell.

[NOTE.—The above extract from the specification is inserted in place of the claims.]

(Specification, 10s. 3d.)

No. 28563.—12th October, 1909.†—ARTHUR THOMAS COLLIER, of "Gonvena," Blenheim, Road, St. Albans, Hertfordshire, England, Engineer. An improved manufacture of flexible material from indiarubber and the like.

Claims.—(1.) In the manufacture of vulcanized material, the use of short lengths of thread made of fibres tightly twisted together and intimately mixed with an indiarubber dough or like plastic composition suitable for vulcanization, the resultant mixture being brought into the desired shape and then vulcanized, substantially as described. (2.) Vulcanized material manufactured according to the process described in the preceding claim.

(Specification, 4s. 3d.)

No. 28628.—25th October, 1910.—PERCY GORDON ECKERSLEY, DANIEL, Organist, of "Eckersley," Clevedon, Somerset, England, and CHARLES ASHTON HENRY BULLOCK, of 11 Ludgate Square, London, England, Publisher. Improvements in machines for supplying and affixing stamps and the like.

Claims.—(1.) In a machine for delivering or affixing stamps or the like, actuating a device for feeding the stamps or the like by their perforations by means of a part carried by the plunger pressing on a resilient arm such as E, in combination with a front stop so arranged that while the feeding device is stopped in a definite position other parts of the machine can complete their stroke, substantially as described. (2.) In a machine for delivering or affixing stamps or the like, feeding forward the stamps by means of a feeding device consisting of a carriage, or its equivalent, carrying a lever having at its end a feed-tooth shaped as above described, such lever being so mounted as to have at all times free play (subject only to spring-pressure) to and from the surface of the stamp, the feed-device being actuated by means of a part carried by the plunger pressing on resilient arms such as E, and having the forward limit of its movement fixed by a stop, substantially as and for the purposes described.

[NOTE.—Here follow seven other claims.]

(Specification, 12s. 9d.)

No. 28698.—8th November, 1910.—THE METALS EXTRACTION CORPORATION, LIMITED, of Finsbury House, Blomfield Street, London, England (assignees of Henry Thomas Durant, of Finsbury House aforesaid, Metallurgist). Improvements in or relating to apparatus for bringing a gas into contact with a liquid.

Extract from Specification.—A tower for bringing the gas into intimate contact with a liquid, according to this invention, comprises the combination with a vertical receptacle having an inlet near the bottom for the gas and an inlet at the top for the liquid, or slightly truncated, conical, or pyramidal "contact elements," each comprising a series of overlapping conical or pyramidal rings spaced apart and so arranged that the liquid has to run over the rings in succession, while the gas is forced to pass through the liquid between the rings.

[NOTE.—The above extract from the specification is inserted in place of the claims.]

(Specification, 4s. 6d.)

No. 28716.—10th November, 1910.—THOMAS McCLELLAND, Jun., of 7 Corrie Grove, Muirend, Cathcart, near Glasgow, Scotland, Cashier (assignee of Charles Kratt, of 120 Lochleven Road, Glasgow aforesaid, Electrical Engineer). An improved method of and apparatus for heating water by electricity.

Claims.—(1.) A method of heating water by causing it to pass through, over, or in contact with carbon or other equivalent non-metallic resisting material in the form of pieces, particles, granules, or the like, and through which an electric current is passed, substantially as described. (2.) An apparatus for heating water, comprising one or more tubes or containers of non-conducting material having small pieces, particles, or granules of carbon or other equivalent non-metallic resisting material more or less loosely packed therein, means for passing water in contact with the resisting material, and means whereby an electric current can be passed through the resisting material, substantially as described.

[NOTE.—Here follow four other claims.]

(Specification, 8s. 6d.)

No. 28720.—8th November, 1910.—CECIL GEORGE McKELLAR, of 100 Gloucester Street, Christchurch, New Zealand, Consulting Engineer. Improvements in tennis-racquets.

Claims.—(1.) In an article of the class described—namely, a tennis-racquet—channel-shaped stampings of suitable material to be fitted and fixed on shoulders as described and for the purpose set forth. (2.) In an article of the class described—namely, a tennis-racquet—hollow-shaped sleeves of suitable material other than binding to be fitted and fixed on shoulders as herein described for the purpose set forth.

[NOTE.—Here follow four other claims.]

(Specification, 3s.)

No. 28721.—8th November, 1910.—THOMAS MORRIS, of Mornington, Dunedin, New Zealand, Inventor. Improved holdfast-clips.

Claims.—(1.) In clips for hats and other light articles that are adapted to be carried in the pocket, in combination, an upper part adapted for hooking on to a book-rest or the back of a seat, &c., with lower portions consisting of a clip and hook, all substantially as shown and as illustrated in the drawing.

[NOTE.—Here follow three other claims.]

(Specification, 3s.)

No. 28763.—23rd November, 1910.—HENRY LOWRY, of 21 Lepper Street, Belfast, Ireland, Builder and Drainage Contractor. An apparatus for removing obstructions in water and sewage pipes, gully-traps, and the like, and thoroughly cleansing same.

Claims.—(1.) An apparatus for removing obstructions from pipes, drains, and so forth, characterized by having jaws normally closed by a spring and pivotally connected with a bow-shaped carrier fixed to the end of a flexible tube, said jaws being provided with means for opening same by the pull of a wire, twisted cable, or the like, which leads through said flexible tube, substantially as described.

[NOTE.—Here follow three other claims.]

(Specification, 4s.)

No. 28767.—23rd November, 1910.—WILLY ALBERT OTTO SCHRUTH, of 167 Beaufort Street, Perth, Western Australia, and WILLIAM REILLY MACKAY, of 286 Wellington Street, Perth aforesaid, both Engineers. Coin-operated delivery-machine.

Claims.—(1.) A pull-lever as *b* having a slotted arm *b2* in combination with a slotted arm *g* secured to the spindle of a rotary magazine as *d*, said slotted arms being adapted to be bridged or connected up by the insertion of a coin as *a* so as to allow said magazine to be rotated by a drag-pawl as *j* and said pull-lever *b*, substantially as set forth and shown in the drawing. (2.) A rotatable magazine as *d*, with columns as *d1* and a divisional plate as *f* and floor as *d2*, with opening *d4* and with means as *k* to *k3* and *m* to prevent the insertion of a coin after the sale of the last box, substantially as set forth and shown in the drawing. (3.) A coin-operated delivery-machine constituted by the combination of parts operating in a punctual and fellowship manner, and substantially as set forth and shown in the drawing.

(Specification, 3s. 6d.)

No. 28790.—25th November, 1910.—FRIEDRICH WILHELM HILDESHEIM, of 12 Rue Simons, Brussels, Belgium, Manufacturer. Process of manufacture of chocolate or products having a cocoa base, and apparatus therefor.

Claims.—(1.) Process of manufacture of chocolate or products having a cocoa base, consisting in grinding or refining the material at a minimum temperature of 60° C, the said operation being effected with the just-treated material isolated with regard to the body of the mass. (2.) Process of manufacture of chocolate or products having a cocoa base consisting in heating the mass of material to a minimum temperature of 60°, and then grinding or refining in thin layers whereby the temperature of the substance treated is momentarily increased, said substance being then immediately

cooled again by contact with the ambient air. (3.) An apparatus for the manufacture of chocolate or products having a cocoa base, said apparatus comprising pairs of cylinders and means for heating said cylinders from the inside. (4.) An apparatus for the manufacture of chocolate or products having a cocoa base, said apparatus comprising a distribution-device for the material to be treated, a pair of cylinders arranged below the distribution-device, and means for heating the said cylinders from the inside.

(Specification, 6s. 9d.)

No. 28807.—7th December, 1909.† — WOLDEMAR HOMMEL, Ph.D., and HENRY THOMAS DURANT, both of Finsbury House, Blomfield Street, London, England, Metallurgists. Improvements in or relating to the extraction of metals from their ores.

Extract from Specification.—More particularly this invention consists in subjecting a mixture of the roasted ore and water to the action of sulphurous-acid gas escaping from the ore-roasting furnace and previously cooled, collecting the sulphite solution of zinc or copper thus formed and submitting it to the action of the hot gases from the roasting-furnace with or without other applied heat, the furnace-gases being thereby cooled and enriched by the addition of the sulphurous acid driven off from the sulphite solutions and zinc-monosulphite or an insoluble sulphite compound of copper being precipitated. This invention also has reference to apparatus for carrying out the above or other processes in which a cold gas is brought into contact with a flowing mixture consisting of a mixture of ore and water to effect a solution, after which the liquid solution is treated with hot gases to effect a precipitation. The apparatus comprises a roasting-furnace, a precipitating-tower communicating therewith in which the sulphite solution is subjected to the action of the escaping hot gases from the roasting-furnace, auxiliary heating-means for the precipitating-tower, if necessary, and the extraction-tower communicating with the precipitating-tower wherein the cooled gases are caused to act upon a mixture of ore and water passing through the extraction-tower.

[NOTE.—The above extract from the specification is inserted in place of the claims.]

(Specification, 5s.)

No. 28819.—3rd December, 1910.—KATHARINE ANN MCGIBBON, of Waitahora, Dannevirke, New Zealand, Married Woman. Improved apparatus for use in washing clothes.

Claims.—(1.) Apparatus for the purpose indicated, consisting of the parts constructed, combined, arranged, and operating substantially as specified and illustrated. (2.) Apparatus for the purpose indicated, comprising a cylindrical cradle having a hinged bottom, and a catch for said bottom pivoted near the top of the cradle, substantially as specified and illustrated. (3.) In apparatus for the purpose indicated, a cylindrical tapering cradle of wire, the upper part having a gap to clear a water-tap projecting over the washing-boiler substantially as specified and illustrated.

(Specification, 2s.)

Copies of drawings may be obtained at the uniform price of 1s. each. In exceptional cases this price may be increased at the discretion of the Office.

An asterisk (*) denotes the complete specification of an invention for which a provisional specification has been already lodged. A dagger (†) denotes a prior date under the International and Intercolonial Arrangements.

NOTE.—The cost of copying the specification has been inserted after the notice of each application. An order for a copy or copies should be accompanied by a post-office order or postal note for the cost of copying.

The date of acceptance of each application is given after the number.

Extracts from the drawings accompanying the foregoing complete specifications appear at the end of this *Gazette*.

J. C. LEWIS,
Registrar.

Provisional Specifications accepted.

Patent Office,
Wellington, 9th December, 1910.

APPLICATIONS for Letters Patent, with provisional specifications, have been accepted as under:—

- No. 28204.—G. F. Ollerenshaw, clothes-peg.
No. 28289.—W. J. Tinline, gas-main tap.
No. 28401.—A. Clegg and G. B. Ritchie, kettle.
No. 28464.—S. Obery, candle-extinguisher.
No. 28542.—T. Mills, acetylene-generator.
No. 28578.—G. H. Baylis, hair-pad.
No. 28585.—R. McGaffin, flax-machine.
No. 28602.—W. J. Milligan and A. Swindale, window-sash support.
No. 28606.—D. H. Fian, tank-cleaning.
No. 28639.—L. Pickering, rope-grip.
No. 28648.—J. Bruce, hydraulic nozzle elevator.
No. 28652.—C. Bristow, boot sole and heel.
No. 28656.—E. F. J. Peacocke and J. Treloar, milking-machine.
No. 28673.—H. Voss, windmill-controller.
No. 28677.—T. Duckmanton, closet-flush.
No. 28692.—W. L. H. Burgess, Venetian blind.
No. 28699.—H. I. M. Ross, ventilation.
No. 28702.—J. R. C. Jones, vehicle-brake.
No. 28714.—A. H. Riley, billy-can.
No. 28717.—R. Paladini, window-cord holder, &c.
No. 28719.—H. Metcalfe, nut-lock.
No. 28723.—J. M. Neal, boot cleaning outfit.
No. 28724.—C. T. Swannell, smoke consumer.
No. 28725.—G. Brydon, machine sheep-shears sharpener.
No. 28726.—T. N. Fletcher, target.
No. 28730.—W. C. S. Clydesdale, window-sash lock, &c.
No. 28731.—E. Henshaw, window-washer.
No. 28732.—A. M. Grainger, boot-frame.
No. 28733.—C. W. Wild, tobacco-pipe cleaner.
No. 28734.—F. Roberts, tablet-exchange bracket.
No. 28737.—I. Maclean, door and window fastener.
No. 28738.—E. Moss, egg-parcelling.
No. 28739.—D. de B. Hovell, furnace-draught.
No. 28740.—R. Yarrow, rubber-substitute.
No. 28741.—E. C. Piercy, hat-fastener.
No. 28742.—S. White, pig-holder.
No. 28745.—R. B. Wight, sausage-machine.
No. 28750.—A. F. Howden, tobacco-cutter.
No. 28751.—F. Stubbs, closet-flush.
No. 28753.—A. L. J. Tait, screw propeller.
No. 28757.—J. N. D. Burgess, wash-boiler discharge.
No. 28764.—S. W. Kelly, carpet-clip.
No. 28770.—A. J. Rison and W. A. Allen, Venetian blind.
No. 28774.—United Shoe Machinery Company, gripper.
(B. F. Mayo and E. I. La Chappelle.)
No. 28776.—E. E. How, saw-bench.
No. 28777.—S. R. Trevor, oil-producing from kauri-swamp soil.
No. 28780.—F. M. Field and D. A. Skene, stopping railway-trains.
No. 28783.—G. Thurston, reciprocating-engine.
No. 28784.—C. E. Hardley, combination-cock.
No. 28789.—P. Kahlenberg, golf-club, &c., grip.
No. 28791.—W. C. Neakes, coal-unloading means.
No. 28797.—J. Staffans, vehicle and brake-pipe coupling.
No. 28798.—A. L. J. Tait, clothes-peg.
No. 28801.—J. W. Fowler, turbine.
No. 28804.—N. S. McNab, registering, &c., device.
No. 28805.—R. C. Bowick, lifting and holding bar.
No. 28810.—J. House, timber seasoning.
No. 28821.—H. Pettitt, gate-lock.
No. 28828.—D. J. O'Brien and R. M. Catts, lamp and reflector.
No. 28843.—United Shoe Machinery Company, nail-making machine. (M. Brock.)
No. 28844.—United Shoe Machinery Company, die-cutting. (E. Pocock.)
No. 28845.—United Shoe Machinery Company, welt shoe-making. (W. J. Drey.)
No. 28846.—United Shoe Machinery Company, boot-manufacture. (W. J. Drey.)

[NOTE.—Provisional specifications cannot be inspected, or their contents made known by this office in any way, until the complete specifications in connection therewith have been accepted.]

Request for Amendment of Specification allowed.

THE request to amend specification No. 26229—G. V. Barton (advertised in Supplement to *New Zealand Gazette* No. 54, of the 2nd June, 1910)—has been allowed.

Letters Patent sealed.

LIST of Letters Patent sealed from the 18th to the 29th November, 1910, inclusive:—

- No. 26478.—T. J. McBride, pneumatic tire.
 No. 26479.—T. J. McBride, tire-rim, &c.
 No. 26480.—T. J. McBride, tire-securing means.
 No. 26493.—A. W. Parton, ladder-bracket.
 No. 26526.—T. Dent, horse collar.
 No. 26579.—J. Fortune, lamb-marking appliance.
 No. 26627.—D. Amey, plough.
 No. 26628.—N. D. Krassinikoff, ship-propeller.
 No. 26734.—United Shoe Machinery Company, sole-grader. (E. P. Nichols.)
 No. 26824.—S. G. Eldridge, steam saw.
 No. 26874.—United Shoe Machinery Company, sewing-machine. (A. E. Jerram, M. H. Pearson, and J. W. Goddard.)
 No. 26875.—United Shoe Machinery Company, shoe-shaping machine. (O. A. Hton.)
 No. 26883.—United Shoe Machinery Company, working upper over last. (E. Brothers.)
 No. 27147.—A. Fischer, washing-machine.
 No. 27329.—W. Findlay, brush and broom making.
 No. 27773.—G. G. Turri, railway-rail. (T. H. Wheelless.)
 No. 27778.—H. B. Van Daalen, electric machinery-controller.
 No. 27779.—H. B. Van Daalen, dynamo and motor.
 No. 27803.—T. A. Dring, flying-machine.
 No. 27950.—United Shoe Machinery Company, tack-pulling machine. (A. Eppler.)
 No. 27951.—I. C. Buckminster, boot-press.
 No. 28007.—T. Mitchell and F. J. Storey, broom.
 No. 28149.—R. F. Arnott, power-operated hammer.
 No. 28159.—C. R. Mitchell, milking-machine.
 No. 28163.—F. G. S. Price, concrete-mixer.
 No. 28178.—F. W. J. Henning and A. H. Varnier, elastic roller.
 No. 28224.—Pittler Universal Rotary Machine Company, Limited, fluid-pressure machine. (W. Von Pittler.)
 No. 28236.—W. N. Dennison, talking-machine.
 No. 28240.—J. M. Quinton, chicken-brooder.

Letters Patent on which Fees have been paid.

[NOTE.—The dates are those of the payments.]

SECOND-TERM FEES.

- NO. 21975.—H. G. Kettle, teat-cup. 29th November.
 No. 22085.—National Cash Register Company, store-service credit-system apparatus (C. F. Kettering). 6th December.
 No. 22104.—L. O. Hooker, perch-carrier. 23rd November.
 No. 22180.—Horace J. Weeks, Limited, paper-bag machine. (W. Fricker.) 25th November.
 No. 22193.—S. A. Bradley, fruit case. 7th December.
 No. 22207.—A. McLean, wheel. 2nd December.
 No. 22221.—J. T. Keane, displaying mathematical tables. 8th December.
 No. 22365.—W. E. Adams, wall-construction. 1st December.
 No. 22481.—W. E. Adams, wall-construction. 1st December.

THIRD-TERM FEES.

- No. 16963.—M. Moore and T. J. Heskett, ore-treating apparatus. 7th December.
 No. 18805.—R. Clark, blank-book manufacture. 2nd December.

Subsequent Proprietors of Letters Patent registered.

[NOTE.—The name of the former proprietor is given in brackets; the date is that of registration.]

NO. 18209.—License noted on register from Mary Ann Rogers, of Newtown, Wellington, New Zealand, Widow, to Arthur Robert Agnew, of Auckland, Commercial Traveller, for certain part of the North Island of New Zealand upon the terms and conditions set forth in deed dated 10th October, 1910. Forming O.G. spouting and ridging. (T. Rogers—M. A. Rogers.) 29th November, 1910.

No. 18209.—Agreement noted on register whereby Mary Ann Rogers, of Newtown, Wellington, New Zealand, Widow, authorizes Robert Cameron Snelling, of Kingscourt, Auckland, New Zealand, Builder, to manufacture and sell machines according to the patent for certain part of New Zealand upon terms and conditions set out in memorandum of agreement dated the 10th October, 1910. Forming O.G. spouting and ridging. (T. Rogers—M. A. Rogers.)—29th November, 1910.

No. 18209.—Assignment noted on register from Arthur Robert Agnew, of Auckland, New Zealand, Commercial Traveller, of all his rights and interests to Robert Cameron Snelling, of Auckland, New Zealand, Builder. Forming O.G. spouting and ridging. (T. Rogers—M. A. Rogers.) 29th November, 1910.

No. 18818.—Elizabeth Sarah Clark, of "Enderby," Queen's Road, South Melbourne, Victoria, Australia, Widow. Ore-treatment. (A. Z. Clark.) 6th December, 1910.

No. 24964.—The Victor Talking Machine Company, of Front and Cooper Streets, Camden, New Jersey, United States of America, Manufacturers. Manufacture of sound-records. (J. W. Owen.) 29th November, 1910.

No. 24964.—The Gramophone Company, Limited, of 21 City Road, London, England, Merchants. Manufacture of sound-records. (Victor Talking Machine Company—J. W. Owen.) 29th November, 1910.

No. 25234.—The Victor Talking Machine Company, of corner of Front and Cooper Streets, Camden, New Jersey, United States of America. Manufacturers. Amplifying-horn for talking-machine. (P. M. Newton and J. C. English.) 29th November 1910.

No. 25234.—The Gramophone Company, Limited, of 21 City Road, London, England, Merchants. Amplifying-horn for talking-machines. (Victor Talking Machine Company.—P. M. Newton and J. C. English.) 29th November, 1910.

No. 25605.—Bendle's Meat Port Syndicate, Limited, whose registered address is 356 Winchester House, Old Broad Street, London, E.C., England, Wine Merchants. Nourishing wine. (S. Bendle, D. I. Smith, and T. B. H. Thorne.) 10th December, 1910.

No. 27134.—United Shoe Machinery Company, of Paterson, in the State of New Jersey, in the United States of America, a corporation duly organized under the laws of the said State of New Jersey, and having a place of business at 205 Lincoln Street, Boston, in the Commonwealth of Massachusetts, United States of America. Boot-machine. (T. H. Files.) 8th December, 1910.

No. 27236.—United Shoe Machinery Company, of Paterson, in the State of New Jersey, United States of America, a corporation duly organized under the laws of the State of New Jersey, and having a place of business at 205 Lincoln Street, Boston, in the Commonwealth of Massachusetts, United States of America. Pulling-over machine. (R. F. McFeely.) 8th December, 1910.

Application for Letters Patent opposed.

NOTICE of opposition has been filed in the following case:—

No. 27532.—McFadden and Adams, milking-appliance. Opposed by Millar and Wade.

Applications for Letters Patent abandoned.

LIST of applications, with which provisional specifications only have been filed, abandoned (i.e., complete specifications not lodged) from the 26th November to the 9th December, 1910, inclusive:—

- No. 27202.—E. B. Gardner, building-block.
 No. 27204.—L. J. Barnes and W. Starkey, flying-machine.
 No. 27208.—W. A. McKay, water-wheel.
 No. 27211.—T. Senior, milk-bucket.
 No. 27212.—W. Hoyland, show-case metal clip.
 No. 27216.—W. Hoyland, box metal clip.
 No. 27217.—W. Norgrove, rotary engine.
 No. 27218.—H. Dempsey, furniture-reviver.
 No. 27219.—R. Ogilvie, variable-speed gear.
 No. 27221.—J. J. Stroud and R. F. Marshall, vehicle wheel.

- No. 27227.—E. Nevill, aeroplane.
 No. 27229.—W. McLeod, seat.
 No. 27230.—R. Latham, rifle.
 No. 27231.—R. Latham, rifle-breech, &c., cooling-arrangement.

- No. 27232.—E. Larcomb, caisson.
 No. 27249.—B. Widdowson, potato digger and bagger.
 No. 27252.—K. Sutherland, telescope.
 No. 27256.—F. R. McLean, turbine.
 No. 27257.—J. V. Price, relief block printing.
 No. 27258.—P. and D. Duncan, Limited, plough. (J. Keir.)

- No. 27262.—H. H. Wallace, animal-throwing apparatus.
 No. 27263.—J. H. Saunders, pump-piston bucket.
 No. 27264.—J. H. Saunders, pumping-gear.
 No. 27266.—G. Nielsen and T. J. Wilton, power-transmission.
 No. 27267.—J. C. Cairns, aeroplane-steadier.
 No. 27268.—G. J. Colthurst, liquid shine.
 No. 27282.—W. J. Love and F. W. Skelsey, cement.

Applications for Letters Patent void.

A PPLICATIONS for Letters Patent, with which complete specifications have been lodged, void owing to non-acceptance of such complete specifications, from the 26th November to the 9th December, 1910, inclusive:—

- No. 26543.—D. L. Cochrane, reinforced-concrete construction.
No. 26545.—H. F. Nelson, clothes-drying apparatus.

Applications for Letters Patent lapsed.

A PPLICATIONS for Letters Patent lapsed, owing to Letters Patent not being sealed, from the 28th November to the 9th December, 1910, inclusive:—

- No. 25996.—J. Baird, earth-closet.
No. 26093.—J. Lindsay, tobacco-pipe valve.
No. 26040.—A. W. Carpenter, tire-manufacture.

Letters Patent void.

L IST of Letters Patent void through non-payment of renewal fees, and through expiry of term of fourteen years, from the 20th November, to the 9th December, 1910, inclusive:—

THROUGH NON-PAYMENT OF SECOND-TERM FEES.

- No. 21696.—J. D. McLaurin, lamp-glass cleaner.
No. 21700.—E. Deister, ore-concentrator.
No. 21702.—J. A. Steele, harvester-apron.
No. 21707.—The Parker Patent Stamp and Ticket Vending Machine Company, Limited, stamp-vending machine. (A. Parker.)
No. 21711.—W. Thorburn, levelling and projecting angles.
No. 21715.—E. T. and J. A. Munro, and D. J. Chandler, branding-tool.
No. 21717.—P. Brown, turnip-cutter.
No. 21719.—P. Price, S. Hill, A. Taylor, A. and W. P. McElhone, and H. S. Bracy, nailmaking-machine.
No. 21724.—W. C. Lawrence, spade.
No. 21725.—F. W. Payne, current-wheel.
No. 21728.—W. Beamish, box.
No. 21733.—G. Coates, wire-strainer.
No. 21734.—E. W. Hart and W. P. Durnnall, vehicle propulsion.
No. 21738.—C. R. Rogers, seed-winnower.
No. 21739.—F. W. Meakin, storing fresh fruit.
No. 21740.—J. B. Marshall, rock-drill.
No. 21742.—T. A. S. Wood, wool-cleaning apparatus.
No. 21743.—T. J. Whelan, knife-cleaner.
No. 21744.—J. C. Drewet, trolley-head.
No. 21745.—W. H. Patterson and G. B. Jones, harness-tug.
No. 21746.—P. Pickering, wall-hook. (C. H. Mason.)
No. 21749.—F. A. Pim and W. H. Blakeley, lift and force pump.
No. 21753.—R. O. Clark, pipe-inspection inlet.
No. 21754.—F. W. Smith, temperature-tester.
No. 21755.—P. Maher, vehicle draw-gear.
No. 22767.—M. L. Krimer, depilatory.

THROUGH NON-PAYMENT OF THIRD-TERM FEES.

- No. 16865.—The British Westinghouse Electric and Manufacturing Company, Limited, voltage-controlling apparatus. (J. P. Campbell.)
No. 16866.—A. Lappan, riding saddle.
No. 16909.—Wolseley Sheep-shearing Machine Company, Limited, and H. Austin, flexible joint and casing.
No. 16916.—A. Currie and R. Anderson, post-hole borer.

THROUGH EXPIRY OF TERM.

- No. 9102.—K. A. May, ore-treatment.

Design expired.

T HE copyright in the following design has expired:—

- No. 268.—T. N. Todd. Class 5.

Applications for Trade Marks filed.

L IST of applications for registration of Trade Marks filed from the 28th November, to the 9th December, 1910, inclusive:—

- Nos. 9186, 9187, and 9188.—25th November, 1910.—Barnett, Samuel, and Sons, Limited, London, Eng. Class 8.
No. 9189.—25th November, 1910.—Crown Perfumery Company, London, Eng. Class 48.
No. 9190.—25th November, 1910.—P. Hayman and Co., Wellington, N.Z. Class 45.
No. 9191.—28th November, 1910.—W. Carter, Winton, N.Z. Class 22.
No. 9192.—29th November, 1910.—E. Henshaw, Wellington, N.Z. Class 50.
No. 9193.—1st December, 1910.—W. H. Soppet, Whangaroa, N.Z. Class 50.
No. 9194.—1st December, 1910.—F. W. Gardiner, Wellington, N.Z. Class 9.
No. 9195.—1st December, 1910.—J. M. More, Melbourne, Vic. Class 5.
No. 9196.—1st December, 1910.—Commercial Cars, Limited, London, Eng. Class 22.
No. 9197.—1st December, 1910.—Ferrubron Manufacturing Company, Limited, London, Eng. Class 1.
No. 9198.—1st December, 1910.—R. Collie and Co., Melbourne, Vic. Class 39.
No. 9199.—2nd December, 1910.—W. Greer and Co., Limited, Glasgow, Scot. Class 43.
Nos. 9200 and 9201.—5th December, 1910.—S. J. Best and Co., Auckland, N.Z. Class 1.
No. 9202.—5th December, 1910.—J. E. Pickles and Co., Bradford, Eng., "J. Pickles and Son," Sydney and elsewhere, Australia, and Wellington and elsewhere, N.Z. Class 34.
No. 9203.—6th December, 1910.—Dunlop Rubber Company of Australasia, Limited, Melbourne, Vic. Class 50.
Nos. 9204 and 9205.—6th December, 1910.—Kolok Manufacturing Company, Limited, London, Eng. Class 39.
Nos. 9206, 9207, 9208, 9209, 9210, and 9211.—6th December, 1910.—Alaska Packers' Association, San Francisco, U.S.A. Class 42.
No. 9212.—6th December, 1910.—A. H. Wright, Dunedin, N.Z. Class 6.
No. 9213.—7th December, 1910.—T. Denman and Co., London, Eng. Class 2.
No. 9214.—7th December, 1910.—G. W. Darvall, Ngaio, N.Z. Class 50.
No. 9215.—7th December, 1910.—G. H. Baylis, Wellington, N.Z. Class 50.
No. 9216.—7th December, 1910.—Adams and Elting Company, Chicago, U.S.A. Class 50.
No. 9217.—7th December, 1910.—J. S. Richardson, Sydney, N.S.W. Class 50.
Nos. 9218 and 9219.—7th December, 1910.—M. M. Ormond, "Ormond," Vevey, Switz. Class 45.
No. 9220.—7th December, 1910.—Chipman Limited, New York, U.S.A., Sydney, N.S.W., and elsewhere. Class 50.
No. 9221.—7th December, 1910.—Ansonia Clock Company, New York, U.S.A. Class 10.
No. 9222.—7th December, 1910.—H. Heide, New York, U.S.A. Class 42.
No. 9223.—8th December, 1910.—North Bros. Manufacturing Company, Philadelphia, U.S.A. Class 13.
No. 9224.—8th December, 1910.—State of San Paulo (Brazil) Pure Coffee Company, Limited, London, Eng. Class 42.
No. 9225.—8th December, 1910.—H. H. Spencer, Bradford, Eng. Class 38.
No. 9226.—9th December, 1910.—National Musical String Company, New Brunswick, U.S.A. Class 9.
No. 9227.—9th December, 1910.—Munro, Clark, and Co., Auckland, N.Z. Class 50.
No. 9228.—9th December, 1910.—R. Wilson and Co., Limited, Dunedin, N.Z. Class 42.
No. 9229.—10th December, 1910.—Langdown and Son, Limited, Christchurch, N.Z. Class 42.
No. 9230.—12th December, 1910.—Benton and Stone, Birmingham, Eng. Class 13.
No. 9231.—12th December, 1910.—Bredell Compositions Company of the Pacific Coast, San Francisco, U.S.A. Class 1.
Nos. 9232, 9233, 9234, 9235, 9236, 9237, 9238, 9239.—12th December, 1910.—New Zealand Candle Company, Limited, Kaiwarra, N.Z. Class 47.
No. 9240.—12th December, 1910.—R. Addis and Son, London, Eng.—Class 50.
No. 9241.—12th December, 1910.—Balfour, Guthrie, and Co., San Francisco, U.S.A. Class 42.

Applications for Registration of Trade Marks.

Patent Office,
Wellington, 9th December, 1910.

A PPLICATIONS for registration of the following Trade Marks have been received. Notice of opposition to the registration of any of these applications may be lodged at this office within two months of the date of this *Gazette*. Such notice must be in duplicate, and accompanied by a fee of \$1.

No. of application : 8124.
Date : 22nd July, 1909.

TRADE MARK.



The essential particular of the trade mark is the following—the distinctive label. The label is to be used upon a red wrapper.

NAME.

DARLING PROPRIETARY, LIMITED, of 381 Little Collins Street, Melbourne, in the State of Victoria, Commonwealth of Australia, Manufacturers.

No. of class : 1.

Description of goods : A preparation for plating or coating metallic articles with silver.

No. of application 9010.
Date : 10th September, 1910.

TRADE MARK.



The essential particular of this trade mark is the distinctive label.

NAME.

THE AMERICAN DEHYDRATING COMPANY, of Waukesha, Wis., United States of America.

No. of class : 42.

Description of goods : Dehydrated-food products.

B

No. of application : 9042.
Date : 20th September, 1910.

TRADE MARK.



The essential particular of this trade mark is the word "Lucas," written in the distinctive manner shown.

NAME.

JOSEPH LUCAS LIMITED, of Great King Street, in the City of Birmingham, England, Manufacturers.

No. of class : 13.

Description of goods : Cycle and motor-car accessories of ordinary metal not included in other classes, and separately sold (that is to say, independently of cycles and motor-cars complete)—namely, lamps, bells and horns, valves, luggage-carriers, oilcans and lubricators, toe-clips.

No. of application : 9103.
Date : 18th October, 1910.

TRADE MARK.



The essential particular of this trade mark is the distinctive label.

NAME.

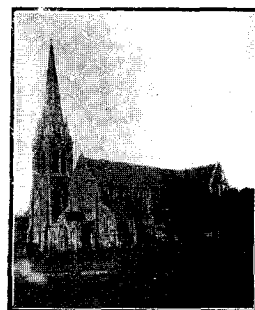
ELIZABETH MILSON, of King's Chambers, Wellington, in the Dominion of New Zealand, Hair Specialist.

No. of class : 48.

Description of goods : Hair and face preparations, and toilet articles.

No. of application : 9108.
Date : 19th October, 1910.

TRADE MARK.



Wisdom

CATHEDRAL BRAND.

The essential particulars of this trade mark are the pictorial representation of a cathedral and the word "Cathedral"; and any right to the exclusive use of the word "Brand" is disclaimed.

NAME.

HENRY FRANCIS STEVENS, of 140 Worcester Street, Christchurch, in the Dominion of New Zealand, Wholesale Druggist.

No. of class: 42.

Description of goods: Culinary essences and cordials (non-aerated and non-alcoholic).

No. of application: 9140.

Date: 2nd November, 1910.

TRADE MARK.

The words

PLATA REUSS.

NAME.

REUSS AND Co., of 169 and 171 West Street, Sheffield, England, Manufacturers.

No. of class: 14.

Description of goods: Goods of imitation precious metals.

No. of application: 9153.

Date: 14th November, 1910.

TRADE MARK.

THE SPINNING WHEEL



The essential particulars of this trade mark are the distinctive device and the words "Spinning Wheel."

NAME.

JOHN SAMUEL KIRKPATRICK and WILLIAM HOLMES BARCLAY, trading as "Kirkpatrick and Barclay," of 66 Princes Street, Dunedin, in the Dominion of New Zealand, Drapers and Importers.

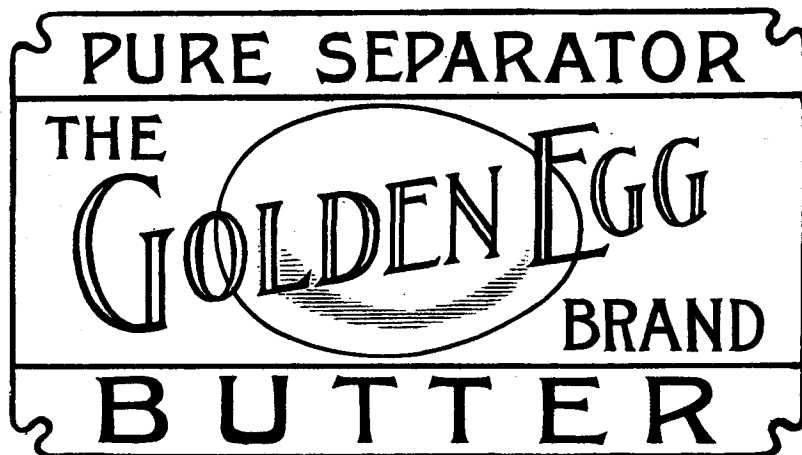
No. of class: 38.

Description of goods: Articles included in this class, but more particularly for hosiery and gloves.

No. of application: 9171.

Date: 23rd November, 1910.

TRADE MARK.



Registered Trade Mark

The essential particulars of this trade mark are the words "Golden Egg" and the device; and any right to the exclusive use of the added matter is disclaimed.

NAME.

A. K. GRUBNER, of Pongaroa, in the Dominion of New Zealand.

No. of class: 42.

Description of goods: Butter.

No. of application: 9173.
Date: 23rd November, 1910.

TRADE MARK.

The word

REIGNING.

The essential particular of this trade mark is the word "Reigning."

NAME.

W. A. ANDERSON, of Vancouver, British Columbia, Merchant.

No. of class: 42.

Description of goods: Salmon.

No. of application: 9178.
Date: 23rd November, 1910.

TRADE MARK.



GALLES

NAME.

BALDWIN'S LIMITED, whose registered office is at Salisbury House, 45 Wind Street, Swansea, Wales, Manufacturers.

No. of class: 5.

Description of goods: Tinned iron and steel sheets and plates, terne sheets and plates, black iron and steel sheets and plates, Canada sheets and plates, tinned taggers, terne taggers, and black taggers, and galvanized iron and steel sheets.

No. of application: 9179.
Date: 23rd November, 1910.

TRADE MARK.



GWALIA

NAME.

BALDWIN'S LIMITED, whose registered office is at Salisbury House, 45 Wind Street, Swansea, Wales, Manufacturers.

No. of class: 5.

Description of goods: Tinned iron and steel sheets and plates, terne sheets and plates, black iron and steel sheets and plates, Canada sheets and plates, tinned taggers, terne taggers and black taggers, and galvanized iron and steel sheets.

C

No. of application: 9180.
Date: 23rd November, 1910.

TRADE MARK.



KING'S DOCK

NAME.

BALDWIN'S LIMITED, whose registered office is at Salisbury House, 45 Wind Street, Swansea, Wales, Manufacturers.

No. of class: 5.

Description of goods: Tinned iron and steel sheets and plates, terne sheets and plates, black iron and steel sheets and plates, Canada sheets and plates, tinned taggers, terne taggers and black taggers, and galvanized iron and steel sheets.

No. of application: 9191.
Date: 28th November 1910.

TRADE MARK.

The word

MARATHON.

The essential particular of the trade mark is the name "Marathon."

NAME.

WILLIAM CARTER, of Winton, Southland, in the Dominion of New Zealand, Cycle and Motor Agent.

No. of class: 22.

Description of goods: Bicycles.

No. of application: 9192.
Date: 29 November, 1910.

TRADE MARK.

The word

ACME.

NAME.

ELIZABETH HENSHAW, of National Hat Mills Buildings, No. 15 Adelaide Road, Wellington, in the Dominion of New Zealand, Upholstress and Brushmaker.

No. of class: 50.

Description of goods: All brushes included in this class.

No. of application: 9194.
Date: 1st December, 1910.

TRADE MARK.

The word

KNOCKOUT.

The essential particular of this trade mark is the word "Knockout."

NAME.

FREDERICK WILLIAM GARDINER, of 88 Vivian Street, Wellington, in the Dominion of New Zealand, Music-seller.

No. of class: 9.

Description of goods: Mouth-organs, accordions, and other musical instruments included in Class 9.

No. of application: 9195.

Date: 1st December, 1910.

TRADE MARK.



The essential particular of this trade mark is the following—the distinctive mark or brand; and any right to the exclusive use of the added matter is disclaimed.

NAME.

JAMES MURRAY MORE, of No. 5 Hosier Lane, Melbourne, in the State of Victoria, Commonwealth of Australia, Importer, Indentor, and Manufacturers' Agent.

No. of class: 5.

Description of goods: Galvanized iron.

No. of application: 9196.

Date: 1st December, 1910.

TRADE MARK.



The essential particulars of the trade mark are as follows—the device and the word "Commer"; and any right to the exclusive use of the added matter is disclaimed.

NAME.

COMMERCIAL CARS LIMITED, of Gloucester Mansions, Cambridge Circus, London W.C., England, Manufacturers of Self-propelled Vehicles.

No. of class: 22.

Description of goods: Carriages.

No. of application: 9197.

Date: 1st December, 1910.

TRADE MARK.

The word

FERRUBRON.

NAME.

THE FERRUBRON MANUFACTURING COMPANY, LIMITED, of 143 Queen Victoria Street, in the City of London, England, Manufacturers.

No. of class: 1.

Description of goods: Preservative paints and other similar goods included in this class.

No. of application: 9202.

Date: 5th December, 1910.

TRADE MARK.

The words

RADIANTA SUPERB.

The essential particular of this trade mark is the word "Radianta"; and any right to the exclusive use of the word "Superb" is disclaimed.

NAME.

J. E. PICKLES AND Co., of Bradford, England, trading also as "Joseph Pickles and Son," of Sydney and elsewhere in the Commonwealth of Australia; of Victoria Street, Wellington, and elsewhere in the Dominion of New Zealand, Warehousemen and Manufacturers.

No. of class: 34.

Description of goods: Piece goods composed mostly of wool.

No. of application: 9203.

Date: 6th December, 1910.

TRADE MARK.

The word

FEDERAL.

NAME.

DUNLOP RUBBER COMPANY OF AUSTRALASIA, LIMITED, whose registered office is at No. 108 Flinders Street, Melbourne, Victoria, Australia.

No. of class: 50 (Subclass 9).

Description of goods: Hoses.

No. of application : 9204.
Date : 6th December, 1910.

TRADE MARK.

The word

KOLOK

The essential particular of this trade mark is the word "Kolok."

NAME.

KOLOK MANUFACTURING COMPANY, LIMITED, of Rochester Works, Paxton Road, Tottenham, London N., England, Manufacturers.

No. of class : 39.

Description of goods : Typewriter-ribbons and carbon papers.

No. of application : 9205.
Date : 6th December, 1910.

TRADE MARK.

The words

SILK GAUZE

The essential particulars of this trade mark are the words "Silk Gauze."

NAME.

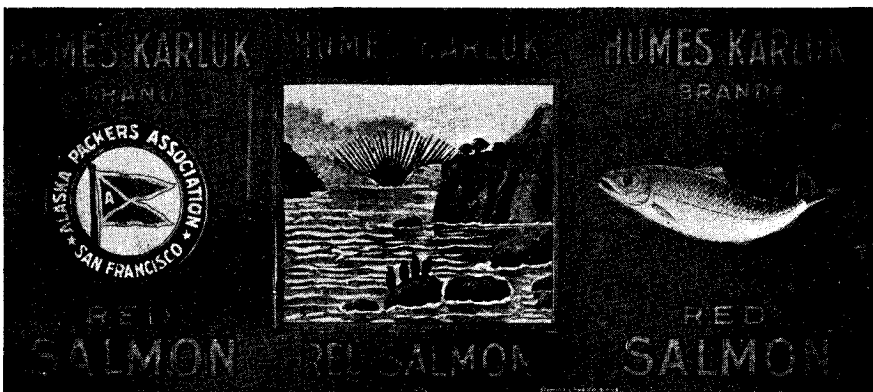
KOLOK MANUFACTURING COMPANY, LIMITED, of Rochester Works, Paxton Road, Tottenham, London N., England, Manufacturers.

No. of class : 39.

Description of goods : Carbon papers.

No. of application : 9206.
Date : 6th December, 1910.

TRADE MARK.



The essential particular of this trade mark is the distinctive label.

NAME.

ALASKA PACKERS' ASSOCIATION, of San Francisco, California, United States of America, Fish-curers.

No. of class : 42.

Description of goods : Tinned or canned, dried, and preserved salmon, and salmon products of all descriptions.

No. of application : 9210.
Date : 6th December, 1910.

TRADE MARK.



The essential particular of this trade mark is the distinctive label.

NAME.

ALASKA PACKERS' ASSOCIATION, of San Francisco, California, United States of America, Fish-curers.

No. of class : 42.

Description of goods : Tinned or canned, dried, and preserved salmon, and salmon products of all descriptions.

No. of application: 9211.
Date: 6th December, 1910.

TRADE MARK.



The essential particular of this trade mark is the distinctive label.

NAME.

ALASKA PACKERS' ASSOCIATION, of San Francisco, California, United States of America, Fish-curers.

No. of class: 42.

Description of goods: Tinned or canned, dried, and preserved salmon, and salmon products of all descriptions.

No. of application: 9214.
Date: 7th December, 1910.

TRADE MARK.



The essential particulars of this trade mark are the representation of the birds and the word "Huia," and any right to the exclusive use of the added matter is disclaimed.

NAME.

GEORGE WILLIAM DARVALL, of Ngaio, Wellington, in the Dominion of New Zealand, Sign-writer.

No. of class: 50.

Description of goods: Polish for boots and harness.

No. of application: 9215.
Date: 7th December, 1910.

TRADE MARK.

The words

THE ROYAL.

NAME.

GEORGE HENRY BAYLIS, of 89 Revans Street, Wellington South, in the Dominion of New Zealand, Agent.

No. of class: 50.

Description of goods: Hair-pads.

No. of application: 9217.
Date: 7th December, 1910.

TRADE MARK.

The word

ROCMAC.

The essential particular of this trade mark is the word "Rocmac."

NAME.

JOHN SYDNEY RICHARDSON, of 62 Hunter Street, Sydney, State of New South Wales, in the Commonwealth of Australia, Solicitor.

No. of class: 50.

Description of goods: A composition of material for roads and paths.

No. of application: 9222.
Date: 7th December, 1910.

TRADE MARK.



The essential particulars of this trade mark are the device of a diamond shaped figure and the monogram "H H."
The applicant claims that the said trade mark has been continuously used in business by him and by the former

firm of Heide and Wirtz, from whom he derived his title, since about the 15th day of June, 1874, in respect of the articles mentioned.

NAME.

HENRY HEIDE, a citizen of the United States, residing in the Borough of Manhattan, City of New York, United States of America, and doing business at corner of Hudson and Vandam Streets in said Borough of Manhattan, Manufacturer.

No. of class: 42.

Description of goods: Confectionery, including candies of all kinds, nuts and other nut products, coconut products, nut butters, confectioners' pastes, bakers' pastes, cake-fillers, cocoa, and chocolate.

No. of application: 9225.

Date: 8th December, 1910.

TRADE MARK.

The word

GALMAC

NAME.

HERBERT HARVEY SPENCER, of 12 Canal Road, Bradford, Yorks, England, Stuff-merchant.

No. of class: 38.

Description of goods: Ready-made clothing.

No. of application: 9227.

Date: 9th December, 1910.

TRADE MARK.

The word

PRIMAS.

The essential particular of this trade mark is the word "Primas."

NAME.

MUNRO, CLARK, AND Co., of 16 and 18 Fort Street, in the City of Auckland and Dominion of New Zealand, Indent and Commission Merchants.

No. of class: 50.

Description of goods: Glass vessels and porcelain vessels enclosed in leather or substitute of leather.

No. of application: 9230.

Date: 12th December, 1910.

TRADE MARK.

ENOTS

NAME.

BENTON AND STONE, of Bracebridge Street, Birmingham, England, Cycle and Motor Fittings Manufacturers and Brass-founders.

No. of class: 13.

Description of goods: Metal goods not included in other classes, such as cycle and motor component parts, tubes, spanners, syringes, and other metal articles of a similar character.

No. of application: 9231.

Date: 12th December, 1910.

TRADE MARK.



The essential particulars of the trade mark are as follow—the word "Diver" and the device of a diver; and any right to the exclusive use of the added matter is disclaimed.

NAME.

BREDELL COMPOSITIONS COMPANY OF THE PACIFIC COAST, a corporation of the City and County of San Francisco, State of California, United States of America, Manufacturers.

No. of class: 1.

Description of goods: Copper-paints and antifouling preservative compounds.

No. of application: 9240.

Date: 12th December, 1910.

TRADE MARK.

The word

EVERFAST.

The applicants claim that the said trade mark has been used by them for at least one year prior to the 1st day of January, 1890.

NAME.

ROBERT ADDIS AND SON, of London Brush-works, London Fields, London N.E., England, Brush-manufacturers.

No. of class: 50.

Description of goods: Tooth-brushes.

No. of application : 9241.

Date : 12th December, 1910.

TRADE MARK.



The essential particulars of this trade mark are the distinctive label and the word "Hillside"; and any right to the exclusive use of the added matter is disclaimed.

NAME.

BALFOUR, GUTHRIE, AND Co., of 350 California Street, San Francisco, California, United States of America.

No. of class : 42.

Description of goods : Seeded raisins; evaporated apricots, peaches, apples, pears, prunes; dried fruits of all kinds, canned fruits, and all substances used as food or as ingredients in food under this class.

J. C. LEWIS,
Registrar.

Trade Marks registered.

LIST of Trade Marks registered from the 28th November to the 9th December, 1910, inclusive :—

- No. 7106/8837.—S. T. Paviour-Smith. Class 42. (*Gazette* No. 66, of the 30th June, 1910.)
 No. 7107/8984.—Harris and Bastian, Limited. Class 2. (*Gazette* No. 86, of the 22nd September, 1910.)
 Nos. 7108/9013 and 7109/9014.—McLeod Bros., Limited. Class 47. (*Gazette* No. 86, of the 22nd September, 1910.)
 Nos. 7110/8649 and 7111/8651.—Koninklijke Nederlandsche Maatschappij tot Exploitatie van Petroleum Bronnen in Nederlandsche Indie. Class 47. (*Gazette* No. 41, of the 5th May, 1910.)
 No. 7112/8674.—G. Garnett and Sons, Limited. Class 38. (*Gazette* No. 83, of the 8th September, 1910.)
 Nos. 7113/8886 and 7114/8893.—Lever Bros., Limited. Classes 50 (6) and 48. (*Gazette* No. 80, of the 25th August, 1910.)
 No. 7115/8932.—H. Sibun and A. S. Kent. Class 42. (*Gazette* No. 80, of the 25th August, 1910.)
 No. 7116/8927.—H. G. Hill. Class 42. (*Gazette* No. 83, of the 8th September, 1910.)
 No. 7117/8403.—Auckland Cake Company. Class 42. (*Gazette* No. 106, of the 16th December, 1909.)
 No. 7118/8673.—G. Garnett and Sons, Limited. Class 34. (*Gazette* No. 80, of the 25th August, 1910.)
 No. 7119/8935.—Sharland and Co., Limited. Class 1. (*Gazette* No. 80, of the 25th August, 1910.)
 Nos. 7120/8982 and 7121/8983.—A. and T. Burt, Limited. Classes 13 and 18. (*Gazette* No. 86, of the 22nd September, 1910.)
 Nos. 7122/9011 and 7123/9012.—Wallace, Scott, and Co. Class 38. (*Gazette* No. 86, of the 22nd September, 1910.)
 No. 7124/8702.—Dr. med Karl Hartmann, G.m.b.H. Class 3. (*Gazette* No. 86, of the 22nd September, 1910.)
 No. 7125/8978.—Pearson's Antiseptic Company, Limited. Class 2. (*Gazette* No. 86, of the 22nd September, 1910.)
 No. 7126/8996.—J. Bartram and Son. Class 2. (*Gazette* No. 86, of the 22nd September, 1910.)

- Nos. 7127/9001, 7128/9002, 7129/9004, and 7130/9005.—Dunlop Rubber Company of Australasia, Limited. Classes 40, 40, 40, 50. (*Gazette* No. 86, of the 22nd September, 1910.)
 No. 7131/9008.—G. W. Bennett. Class 2. (*Gazette* No. 86, of the 22nd September, 1910.)
 No. 7132/9017.—Scott and Turner, Limited. Class 50. (*Gazette* No. 86, of the 22nd September, 1910.)
 Nos. 7133/9022 and 7134/9024.—Wilkinson, Heywood, and Clark, Limited. Class 1. (*Gazette* No. 86, of the 22nd September, 1910.)
 Nos. 7135/9029 and 7136/9030.—British Imperial Oil Company, Limited. Class 47. (*Gazette* No. 86, of the 22nd September, 1910.)
 Nos. 7137/8980 and 7139/8981.—Consol Automatic Aerators, Limited. Classes 6 and 42. (*Gazette* No. 86, of the 22nd September, 1910.)
 No. 7138/8800.—Eureka Milking Machine Company. Class 7. (*Gazette* No. 69, of the 14th July, 1910.)
 No. 7140/8953.—Ellingham and Co., Limited. Class 39. (*Gazette* No. 83, of the 8th September, 1910.)
 No. 7141/8954.—Ellingham and Co., Limited. Class 42. (*Gazette* No. 86, of the 22nd September, 1910.)
 No. 7142/8975.—R. H. Ashcroft. Class 39. (*Gazette* No. 86, of the 22nd September, 1910.)
 No. 7143/8976.—R. I. Clark and Co. (Australasia), Limited. Class 1. (*Gazette* No. 86, of the 22nd September, 1910.)
 No. 7144/9016.—J. W. Bates. Class 2. (*Gazette* No. 86, of the 22nd September, 1910.)
 No. 7145/8420.—Professor A. W. Bickerton. Class 20. (*Gazette* No. 106, of the 16th December, 1909.)
 No. 7146/8939.—H. O. Wiles. Class 3. (*Gazette* No. 83, of the 8th September, 1910.)
 No. 7147/8421.—Hayward Bros. and Co., Limited. Class 47. (*Gazette* No. 106, of the 16th December, 1909.)
 No. 7148/8861.—Jones Bros., Limited. Class 24. (*Gazette* No. 80, of the 25th August, 1910.)
 No. 7149/8418.—D. W. Virtue and Co. Class 42. (*Gazette* No. 106, of the 16th December, 1909.)
 No. 7150/8767.—International White Cross Milk Company. Class 42. (*Gazette* No. 83, of the 8th September, 1910.)
 No. 7151/8956.—Gramophone Company, Limited. Class 8. (*Gazette* No. 83, of the 8th September, 1910.)
 No. 7152/8993.—A. C. Hughes and Co. Class 50. (*Gazette* No. 86, of the 22nd September, 1910.)
 No. 7153/8381.—Ellison and Duncan, Limited. Class 42. (*Gazette* No. 101, of the 2nd December, 1909.)

Trade Mark Renewal Fees paid.

FEES paid for the renewal of the undermentioned Trade Marks for fourteen years from the date first mentioned :—

- No. 1862/1483.—1st December, 1910.—Wright, Stephenson, and Co., Dunedin and elsewhere, N.Z. 1st December.
 No. 1897/1510.—28th January, 1911.—G. P. Donnelly, Crissoge, N.Z. 2nd December.
 Nos. 2271/1824, 2278/1829, 2279/1830, 2280/1831, 2282/1832.—26th February, 1912.—Alaska Packers' Association, San Francisco, U.S.A. 6th December.
 Nos. 2338/2040 and 2339/1889.—14th April, 1912.—Alaska Packers' Association, San Francisco, U.S.A. 6th December.
 No. 2350/1987.—27th April, 1912.—Alaska Packers' Association, San Francisco, U.S.A. 6th December.

Trade Marks removed from the Register.

TRADE Marks removed from the Register owing to the non-payment of the renewal fee, from the 28th November to the 9th December, 1910, inclusive :—

- No. 1792/1435.—31st August, 1896.—C. G. F. Laurie, of Auckland, N.Z. (W. Blyth.) Class 42.
 No. 1793/1429.—1st September, 1896.—W. Colman, of Wellington, N.Z. Class 50.
 No. 1794/1666.—3rd September, 1896.—Nind, Ward, and Co., of Christchurch, N.Z. Class 6.
 No. 1799/1630.—3rd September, 1896.—Holzapfel's Composition Company, Limited, of Newcastle-on-Tyne, Eng. Class 1.
 Nos. 1801/1490 and 1802/1465.—4th September, 1896.—Sharland and Co., Limited, of Auckland and Wellington, N.Z. Class 3.
 Nos. 1803/1621 and 1804/1622.—8th September, 1896.—S. Vincent, of Christchurch, N.Z. Class 3.

Subsequent Proprietors of Trade Marks registered.

[NOTE.—The name of the former proprietor is given in brackets; the date is that of registration.]

NO. 80/1387. — Bryant and May, Bell and Co., Limited, of National Mutual Buildings, Wellington, in the Dominion of New Zealand, Match-manufacturers. (Bell and Black, Limited.) 8th December, 1910.

Nos. 1926/1541, 2048/1751, 2049/1650, 2050/1651. — Reginald George Barclay and Clara S. Barclay, both of Nos. 26 and 28 Beaver Street, New York, United States of America, Merchants. (G. C. Barclay.) 8th December, 1910.

Nos. 3301/2586 and 4584/3582. — Dunlop Rubber Company of Australasia, Limited, whose registered office is at No. 108 Flinders Street, Melbourne, in the State of Victoria, Commonwealth of Australia. (Dunlop Pneumatic Tire Company of Australasia, Limited.) 8th December, 1910.

No. 8078/6465. — A. Wander, Limited, whose registered office is situate at Nos. 1 and 3 Leonard Street, City Road, London, England. (A. Wander.) 5th December, 1910.

No. 1199/921. — The Magnolia Antifriction Metal Company, of Great Britain, Limited, of 49 Queen Victoria Street, London, England. (Magnolia Metal Company—Magnolia Antifriction Metal Company of Great Britain.) 10th December, 1910.

Applications for Trade Marks opposed.

NOTICE of opposition has been filed in the following cases:—

No. 8654. — Bataafsche Petroleum-Maatschappij. Opposed by C. E. Thomson and A. L. Thomson, trading as "The Crown Perfumery Company."

No. 8779. — The Gramophone Company, Limited. Opposed by Barnett, Samuel, and Sons, Limited.

Applications for Trade Marks abandoned or refused.

LIST of applications for registration of Trade Marks abandoned or refused from the 1st October to the 29th November, 1910, inclusive:—

No. 8152.—2nd August, 1909.—R. L. H. Murray, of Auckland, N.Z. Class 18.

No. 8179.—10th August, 1909.—W. F. Munn, of Sydney, N.S.W. Class 38.

No. 8223.—28th August, 1909.—B. Taylor, of Christchurch, N.Z. Class 1.

No. 8225.—30th August, 1909.—A. Jones, of Auckland, N.Z. Class 39.

No. 8234.—3rd September, 1909.—T. F. Long, of Gisborne, N.Z. Class 2.

No. 8260.—20th September, 1909.—Sarotti Chocoladen- & Cacao-Industrie A.G., of Berlin, Germany. Class 42.

No. 8271.—23rd September, 1909.—C. Chamberlain, "Oxford Sausage Company," of Auckland, N.Z. Class 42.

No. 8272.—24th September, 1909.—Hudson and Marriott, Limited, of Levin, N.Z. Class 42.

Nos. 8296, 8297, 8298, and 8299.—12th October, 1909.—F. N. R. Meadows, of Wellington, N.Z. Class 42.

Nos. 8309, 8310, 8311, and 8312.—14th October, 1909.—Compagnie Generale de Phonographes, Cinematographes et Appareils de Précision, of Paris, France. Classes 39, 8, 39, 8.

No. 8349.—26th October, 1909.—Christiania Hesteskosømfabrik, of Christiania, Norway. Class 13.

No. 8369.—5th November, 1909.—F. Abraham and Co., of London, Eng. Class 42.

No. 8371.—6th November, 1909.—W. F. Darby, of Auckland, N.Z. Class 50.

No. 8385.—16th November, 1909.—J. Mackintosh, Limited, of Halifax, Eng. Class 42.

No. 8412.—23rd November, 1909.—J. Munro and Son, Limited, of Leith and Strathspey, Scotland. Class 43.

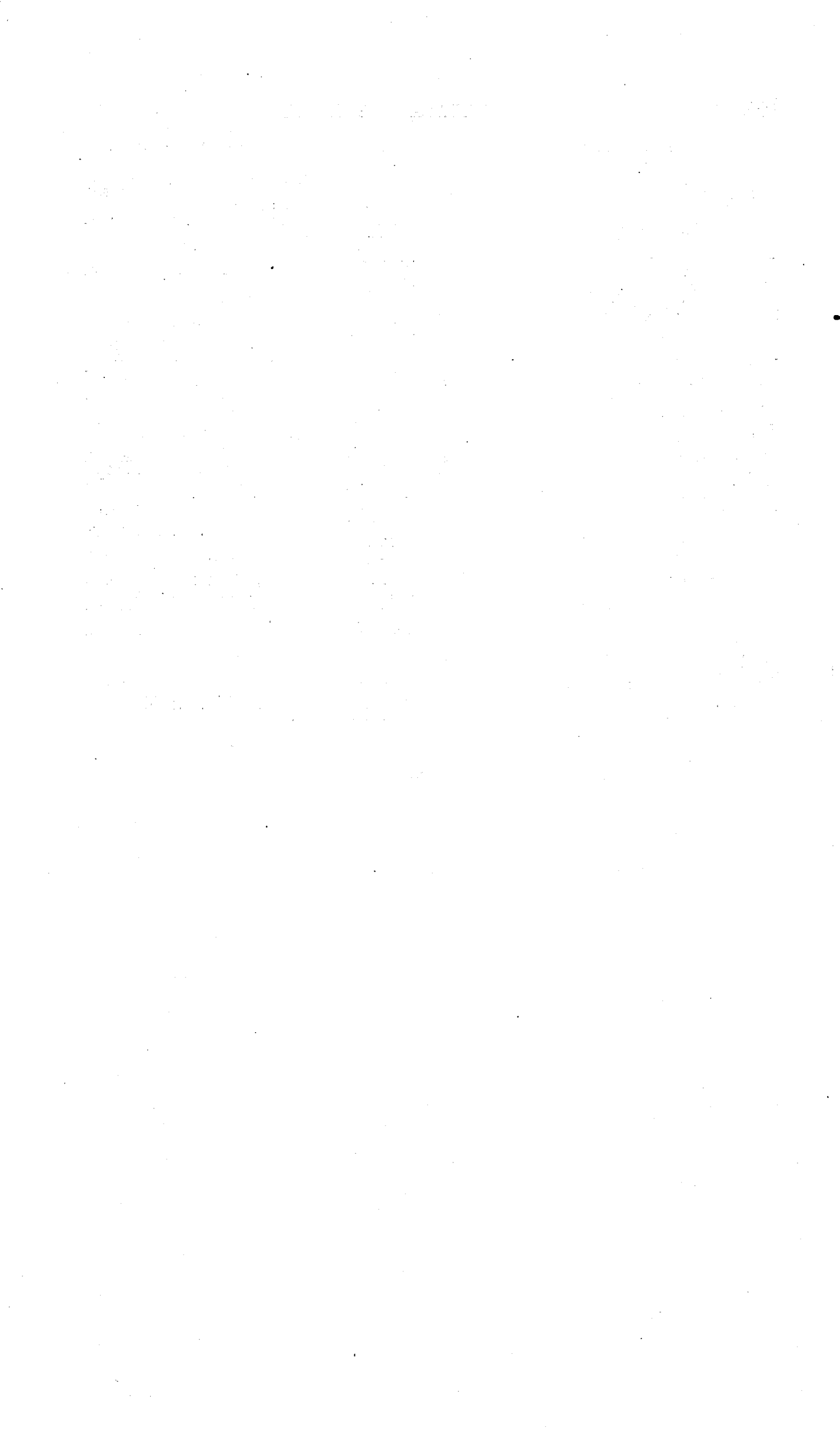
No. 8415.—24th November, 1909.—W. and R. A. Rew, "R. Rew," of Auckland, N.Z. Class 42.

No. 8807.—15th June, 1910.—Rudge-Whitworth, Limited, of Coventry, Eng. Class 22.

No. 8853.—5th July, 1910.—Southall Bros. and Barclay, Limited, of Birmingham, Eng. Class 11.

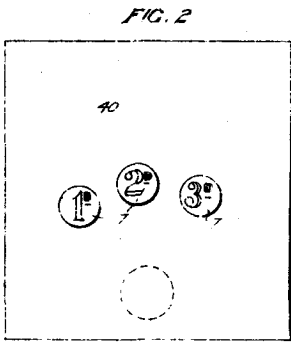
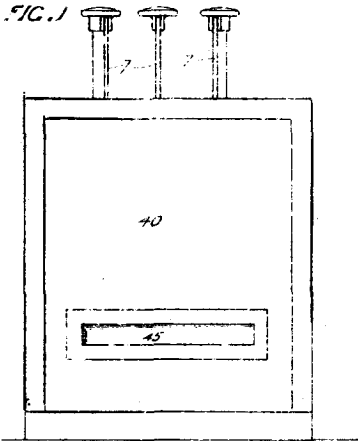
No. 9037.—17th September, 1910.—Smooth-on Manufacturing Company, of Jersey City, U.S.A. Class 50.

No. 9163.—19th November, 1910.—G. W. Darvall, of Wellington, N.Z. Class 50.

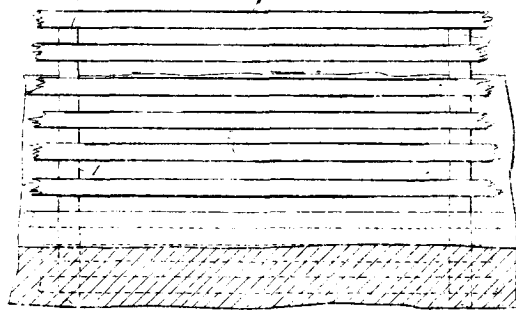
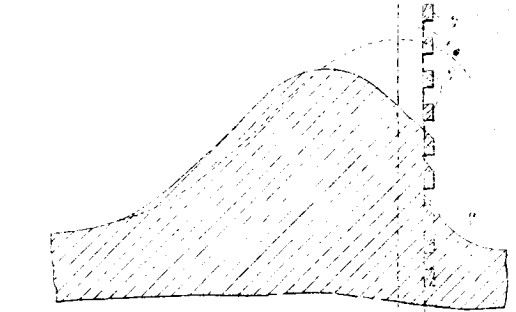


ILLUSTRATIONS OF INVENTIONS.

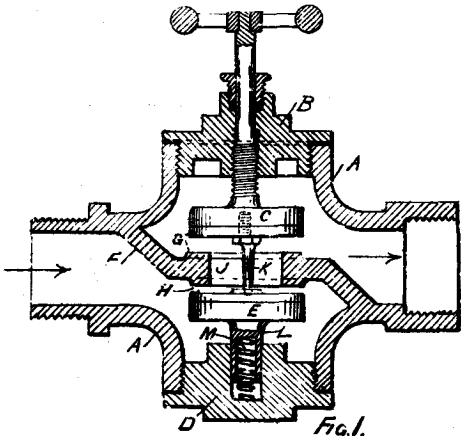
[These illustrations refer to the complete specifications accepted, and advertised in this *Gazette*.]



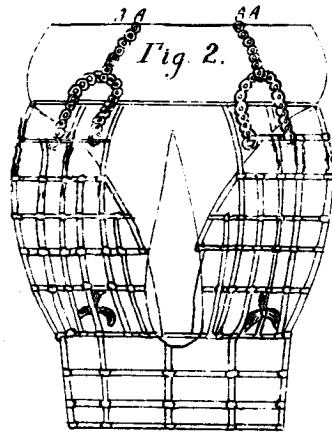
Franking-machine. Fischer. 2651c.



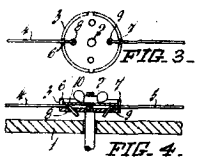
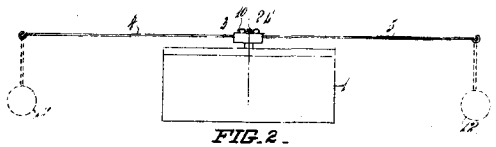
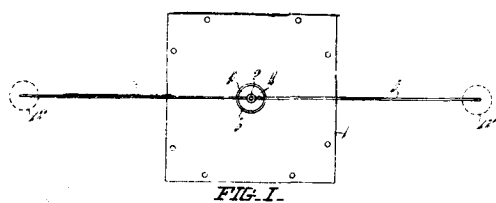
Sand-drip Prevention. Jackson. 27265.



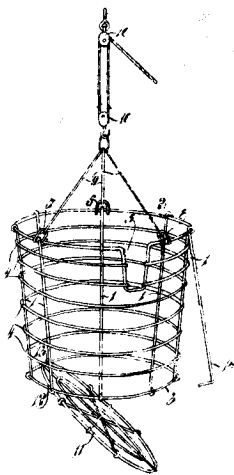
Valve or Tap. Sheldon. 27025.



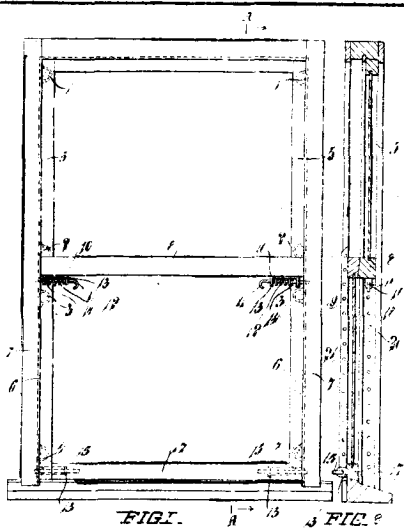
Propeller Life-guard. Earnshaw. 27255.



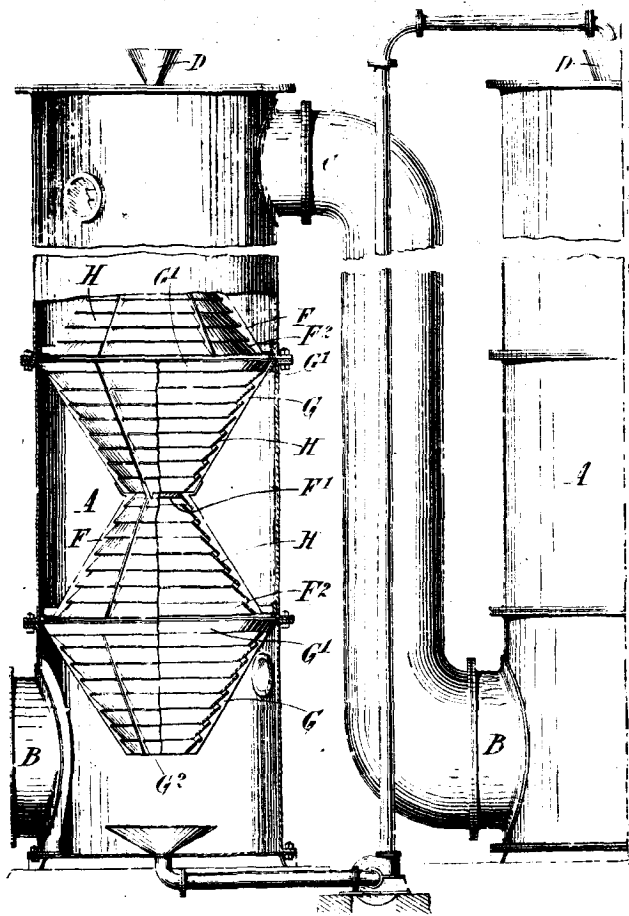
Flies, Driving off. Mills. 27296.



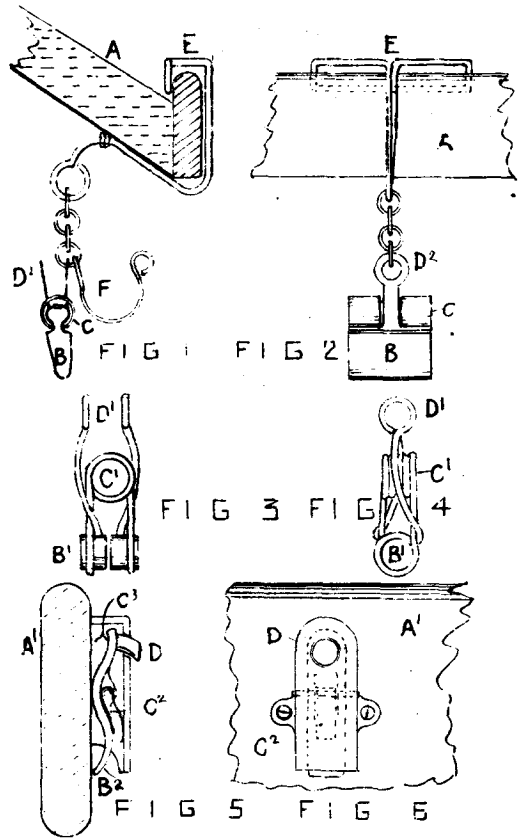
Clothes-washer. McGibbon. 28819.



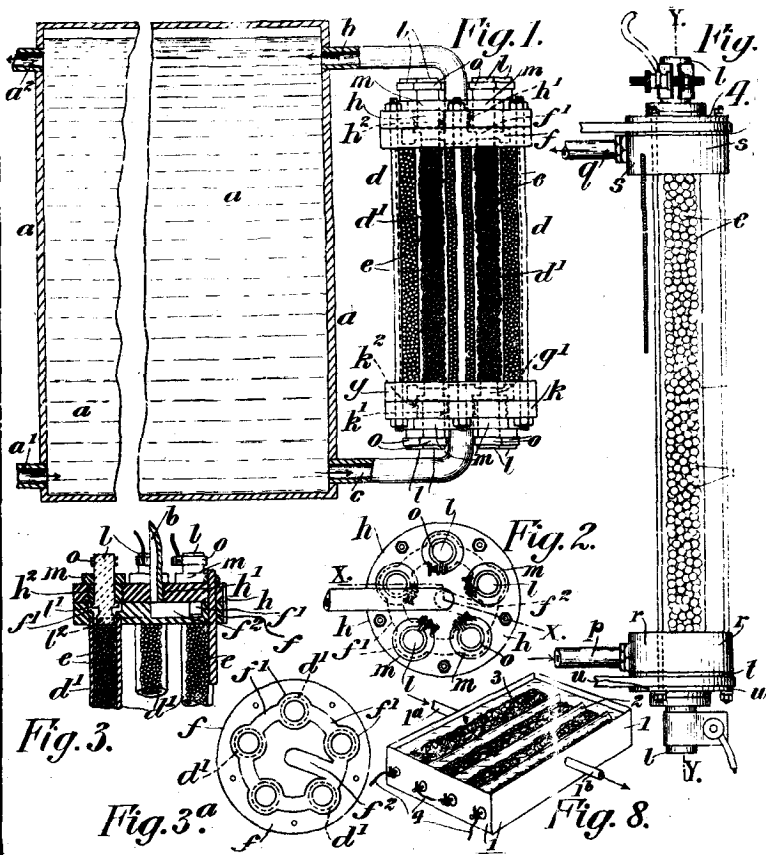
Window. Frith. 27285.



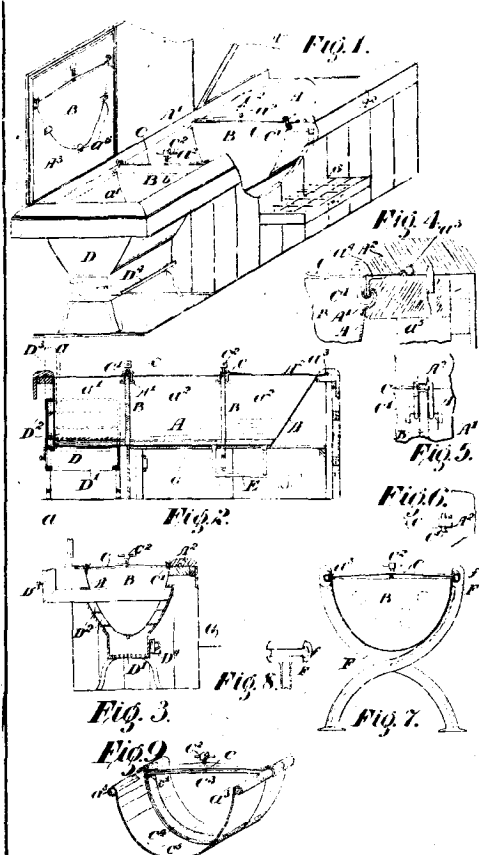
Gas, Treating Liquids with The Metals Extraction Corporation (Limited) (Durant.) 28698.



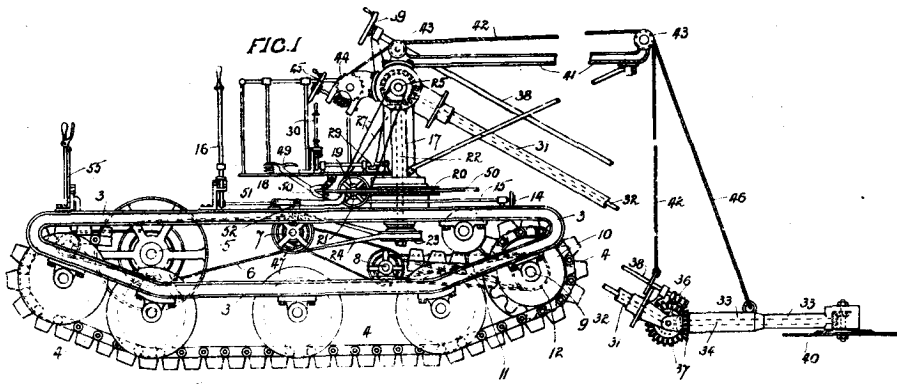
Chp. Holdfast Morris. 28721.



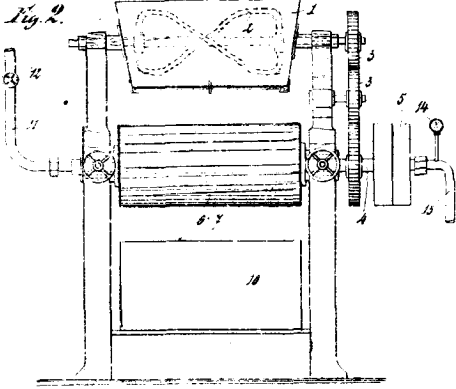
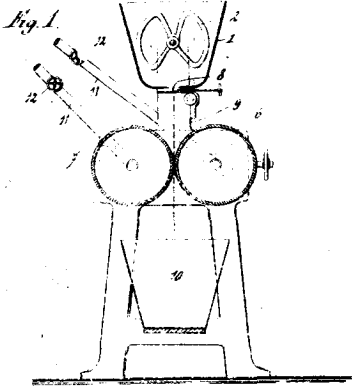
Water-heater, Electric. McClelland. (Kratt.) 28716.



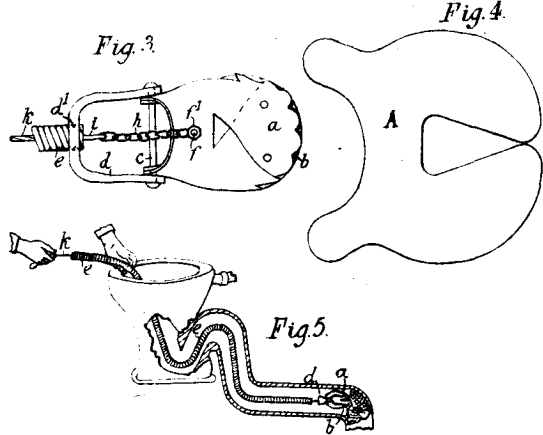
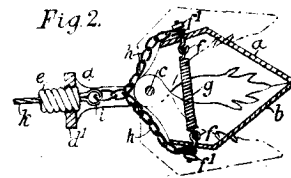
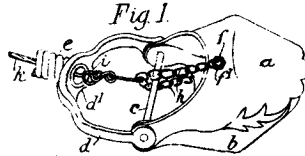
Bath, Trough, &c. Cliff. 28359.



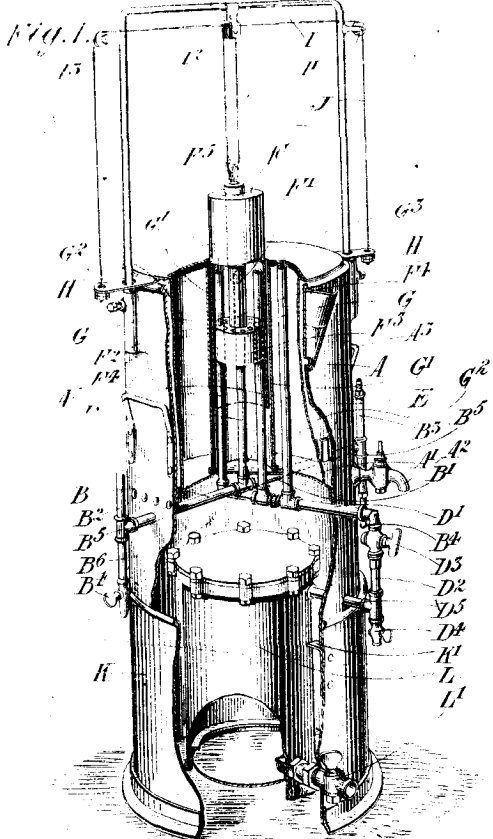
Scrub-cutter. Jackson. 27041



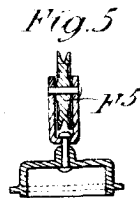
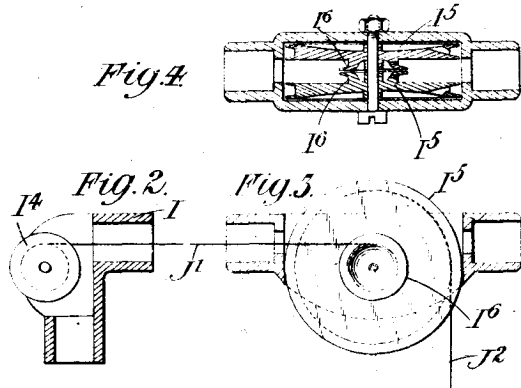
Chocolate-manufacture. Hildersheim. 28790.

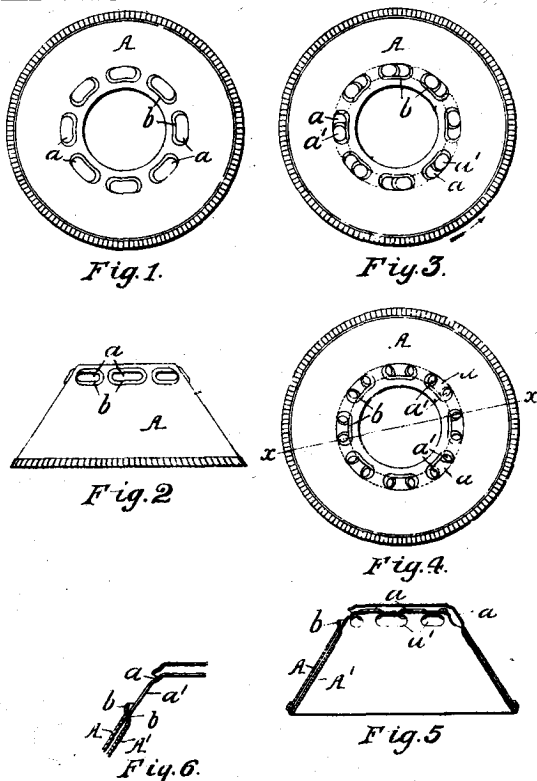


Pipe-obstruction Remover. Lowry. 28768.

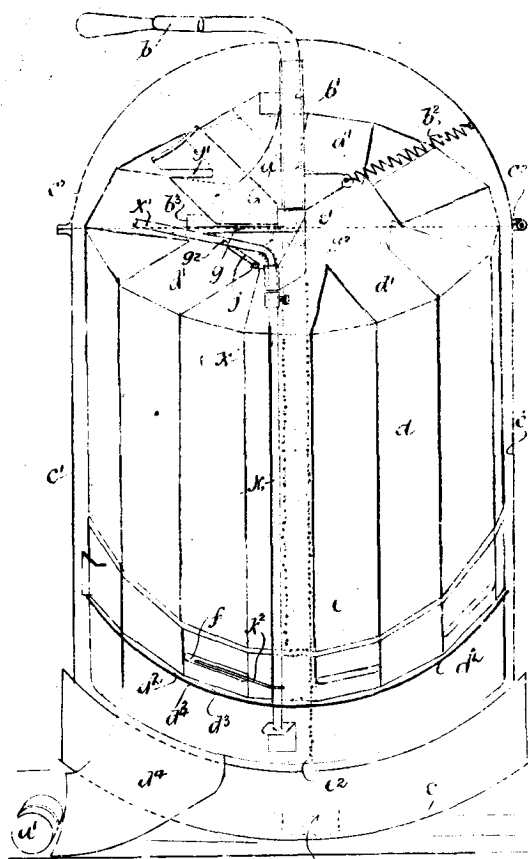


Acetylene-generator. Wakefield. 28492

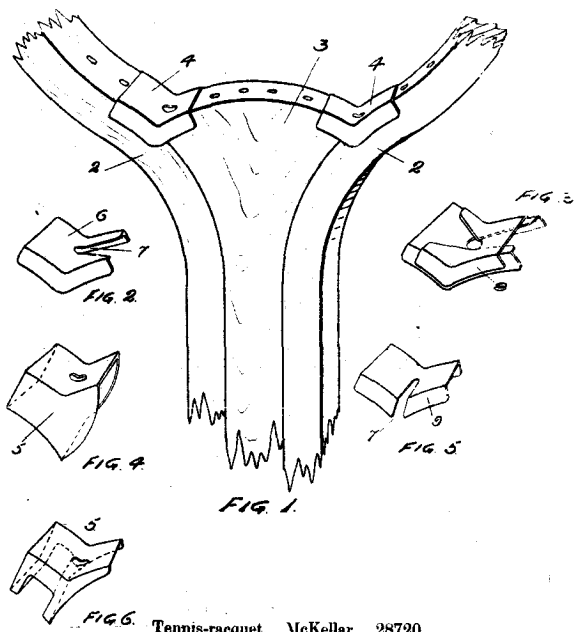




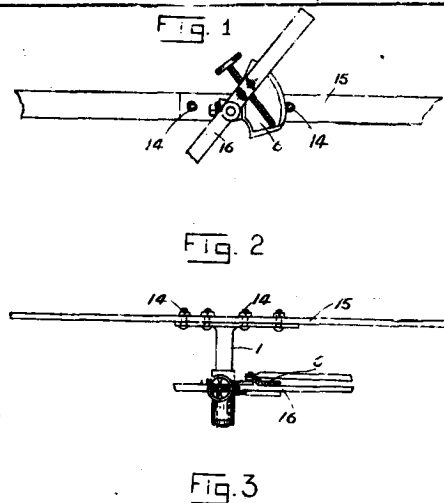
Separator. Wolsley Sheep Shearing Machine Company (Limited) and E. V. Hudson. 28221.



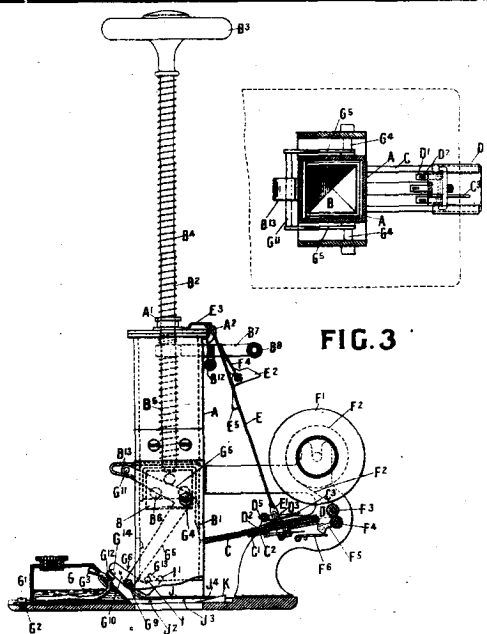
Coin-free Machine. Schrueth and Mackay. 28767.



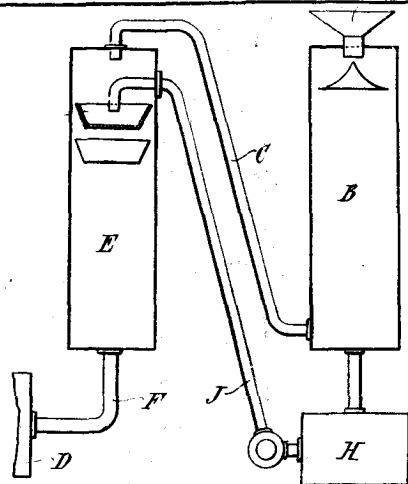
Tennis-racquet. McKellar. 28720.



Plough. Gray. 27389.



Stamp-supplying, &c., Machine. Daniel and Bullock. 28628.



Metal-extraction. Hommel and Durant. 28807.